



**SIMPLY THE BEST**

4110 Niles Hill Road  
Wellsville, NY 14895  
Phone (585) 593-3169  
FAX (585) 593-5637  
Web Address: [www.papa-mike.com](http://www.papa-mike.com)  
E-mail: [pmboots@papa-mike.com](mailto:pmboots@papa-mike.com)

---

**WE'VE GOT YOU COVERED!**

## **Complete Erosion Protection Kits**

**PM Research, Inc.** has provided “**Simply The Best**” **Radome & Leading Edge Protection** to the Aviation Market for more than 24 Years.

It's fair to say that you may have used our product, or know someone who has.

Maybe you've even seen it on an aircraft before, Or have you? Our products are great at preventing erosion but very hard to see. You might not even realize that the product is installed unless you are within a few feet.

What if you could keep your aircraft looking like it was just painted, Even after years of flying? **NOW YOU CAN!**

Our erosion protection kits include all of the preformed products and tape to cover the painted leading edge surfaces of your aircraft.

Some added benefits to installing a PM Research, Inc. Erosion Protection Kit are, reduced maintenance cost, Increase time between painting, improve appearance, and reduce “Down Time”.

<b>Manufacturer</b>	<b>Model</b>	<b>Kit #</b>	<b>Page</b>
<b>Bombardier</b>	<b>CRJ200</b>	<b>PM-KCRJ2</b>	<b>3</b>
<b>Cessna</b>	<b>560XLS</b>	<b>PM-K560XLS</b>	<b>7</b>
<b>Cirrus</b>	<b>CIRRUS SR-20 G-1 MODELS</b>	<b>PM-KC20G1</b>	<b>11</b>
<b>Cirrus</b>	<b>CIRRUS SR-20 G-2 MODELS</b>	<b>PM-KC20G2</b>	<b>15</b>
<b>Cirrus</b>	<b>CIRRUS SR-22 &amp; SR-22 TURBO G-1 &amp; G-2 MODELS With Deice</b>	<b>PM-KC22 D</b>	<b>19</b>
<b>Cirrus</b>	<b>CIRRUS SR-22 &amp; SR-22 TURBO G-1 &amp; G-2 MODELS Without Deice</b>	<b>PM-KC22</b>	<b>23</b>
<b>Cirrus</b>	<b>CIRRUS SR20,SR22 &amp; SR-22 TURBO G-3 Without Deice</b>	<b>PM-KCG3</b>	<b>27</b>
<b>Cirrus</b>	<b>CIRRUS SR22 &amp; SR-22 TURBO G-3 With Deice</b>	<b>PM-KCG3D</b>	<b>31</b>
<b>Dassault</b>	<b>Falcon 50</b>	<b>PM-KF50</b>	<b>35</b>
<b>Embraer</b>	<b>Legacy 600/ERJ-135 WITH CONTOURED WINGROOTS</b>	<b>PM-K600L-1</b>	<b>39</b>
<b>Embraer</b>	<b>Legacy 600/ERJ-135 WITHOUT CONTOURED WINGROOTS</b>	<b>PM-K600L-2</b>	<b>43</b>
<b>Embraer</b>	<b>ERJ-145 WITH CONTOURED WINGROOTS</b>	<b>PM-KEM45C</b>	<b>47</b>
<b>Embraer</b>	<b>ERJ-145 WITHOUT CONTOURED WINGROOTS</b>	<b>PM-KEM45</b>	<b>51</b>
<b>Embraer</b>	<b>Phenom 100</b>	<b>PM-KPH100</b>	<b>55</b>
<b>Hawker</b>	<b>400XP</b>	<b>PM-KH4XP</b>	<b>59</b>
<b>Hawker</b>	<b>800A</b>	<b>PM-KH800A</b>	<b>63</b>
<b>Hawker</b>	<b>800XP</b>	<b>PM-KH8XP</b>	<b>67</b>
<b>Hawker</b>	<b>Premier I</b>	<b>PM-KHP390</b>	<b>71</b>
<b>Piaggio</b>	<b>P180 Avanti</b>	<b>PM-KP180</b>	<b>75</b>
<b>Pilatus</b>	<b>PC-12</b>	<b>PM-KPC12</b>	<b>79</b>
<b>Piper</b>	<b>Malibu</b>	<b>PM-KP46</b>	<b>83</b>
<b>Socata</b>	<b>TBM 700/850</b>	<b>PM-KTB700</b>	<b>87</b>



**SIMPLY THE BEST**

4110 Niles Hill Road  
Wellsville, NY 14895  
Phone (585) 593-3169  
FAX (585) 593-5637  
Web Address: [www.papa-mike.com](http://www.papa-mike.com)  
E-mail: [pmbotics@papa-mike.com](mailto:pmbotics@papa-mike.com)

## Erosion Protection Kit for the Canadair Regional Jet, CRJ 200 and Bombardier CRJ 200

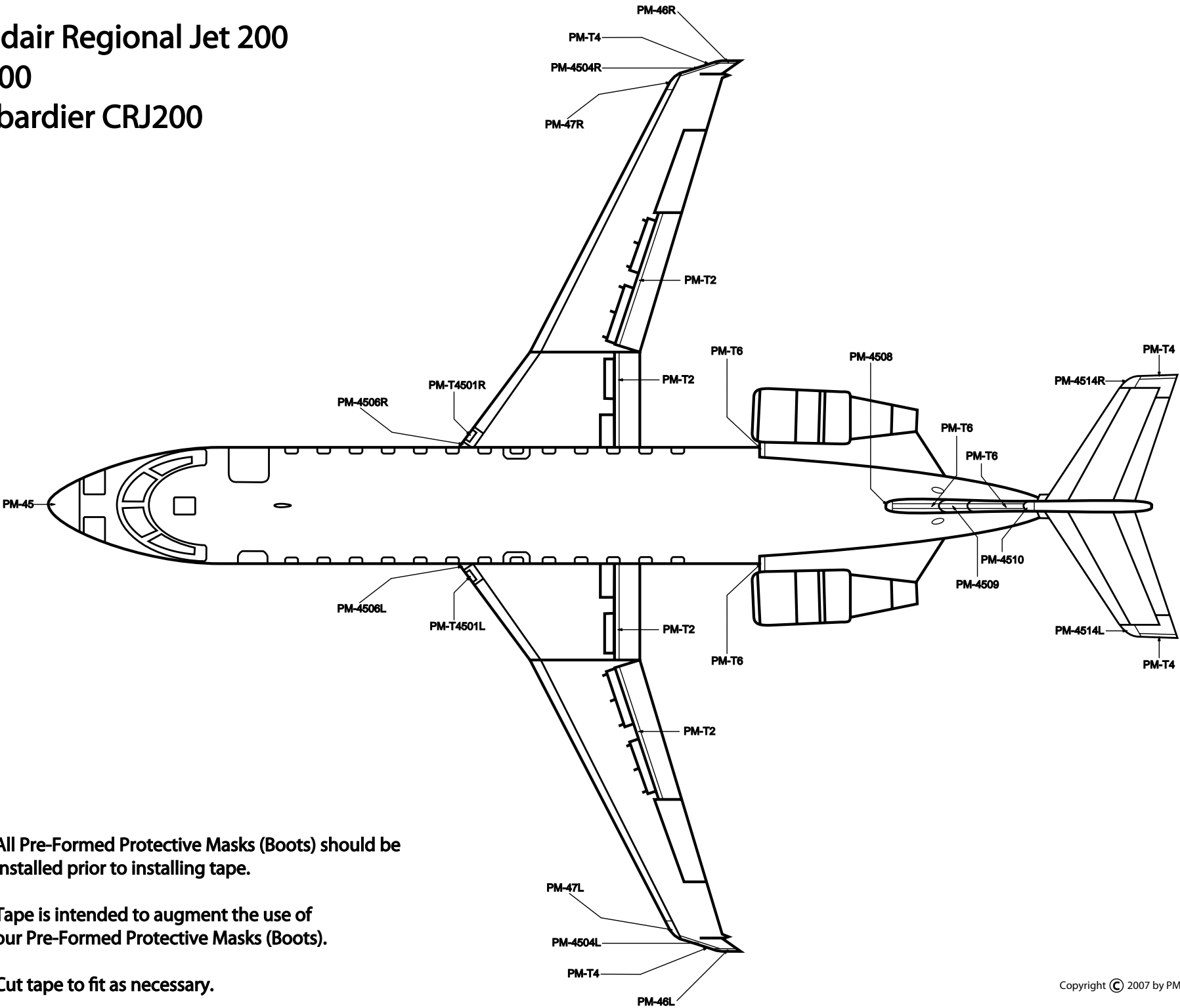
### PM-KCRJ

PRODUCT	PRODUCT ID
Radome Boot	PM-45
Winglet Tips Mask Set, L&R	PM-46
Navigation Light Lens Mask, Left	PM-47L
Navigation Light Lens Mask, Right	PM-47R
Winglet Transition Mask, Left	PM-4504L
Winglet Transition Mask, Right	PM-4504R
Wing Root Fairing Mask, Left	PM-4506L
Wing Root Fairing Mask, Right	PM-4506R
Dorsal Ram Air Inlet Mask	PM-4508
Dorsal Transition Mask	PM-4509
Vertical Stabilizer Mask	PM-4510
Inboard Flap, Inboard Flap Track Fairing (x 2)	PM-4511 (2)
Inboard Flap, Outboard Flap Track Fairing (x 2)	PM-4512 (2)
Outboard Flap Track Fairing (x 6)	PM-4513 (6)
Horizontal Stabilizer Tips Mask Set L&R	PM-4514
Inspection Light Lens Tape Kit (10 pcs)	PM-T4503
Taxi Light Lens Tape Kit	PM-T4502
Landing Light Lens Tape Kit	PM-T4501
Engine Pylon Logo Light Lens Tape Kit	PM-T4515
Cut Tape	

--	--

--	--

**Canadair Regional Jet 200**  
**CRJ200**  
**Bombardier CRJ200**



**NOTE:** All Pre-Formed Protective Masks (Boots) should be installed prior to installing tape.

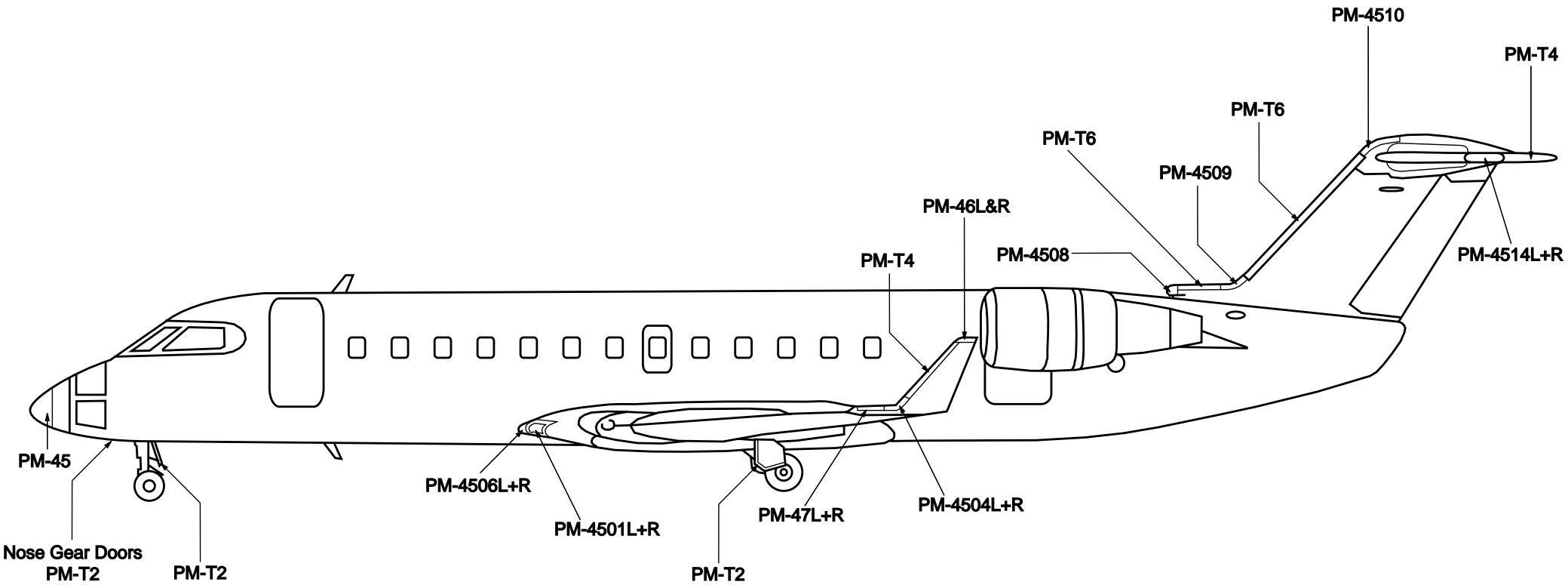
**NOTE:** Tape is intended to augment the use of our Pre-Formed Protective Masks (Boots).

**Cut tape to fit as necessary.**

# Canadair Regional Jet 200

## CRJ200

### Bombardier CRJ200



**NOTE:** All Pre-Formed Protective Masks (Boots) should be installed prior to installing tape.

**NOTE:** Tape is intended to augment the use of our Pre-Formed Protective Masks (Boots).

Cut tape to fit as necessary.





**SIMPLY THE BEST**

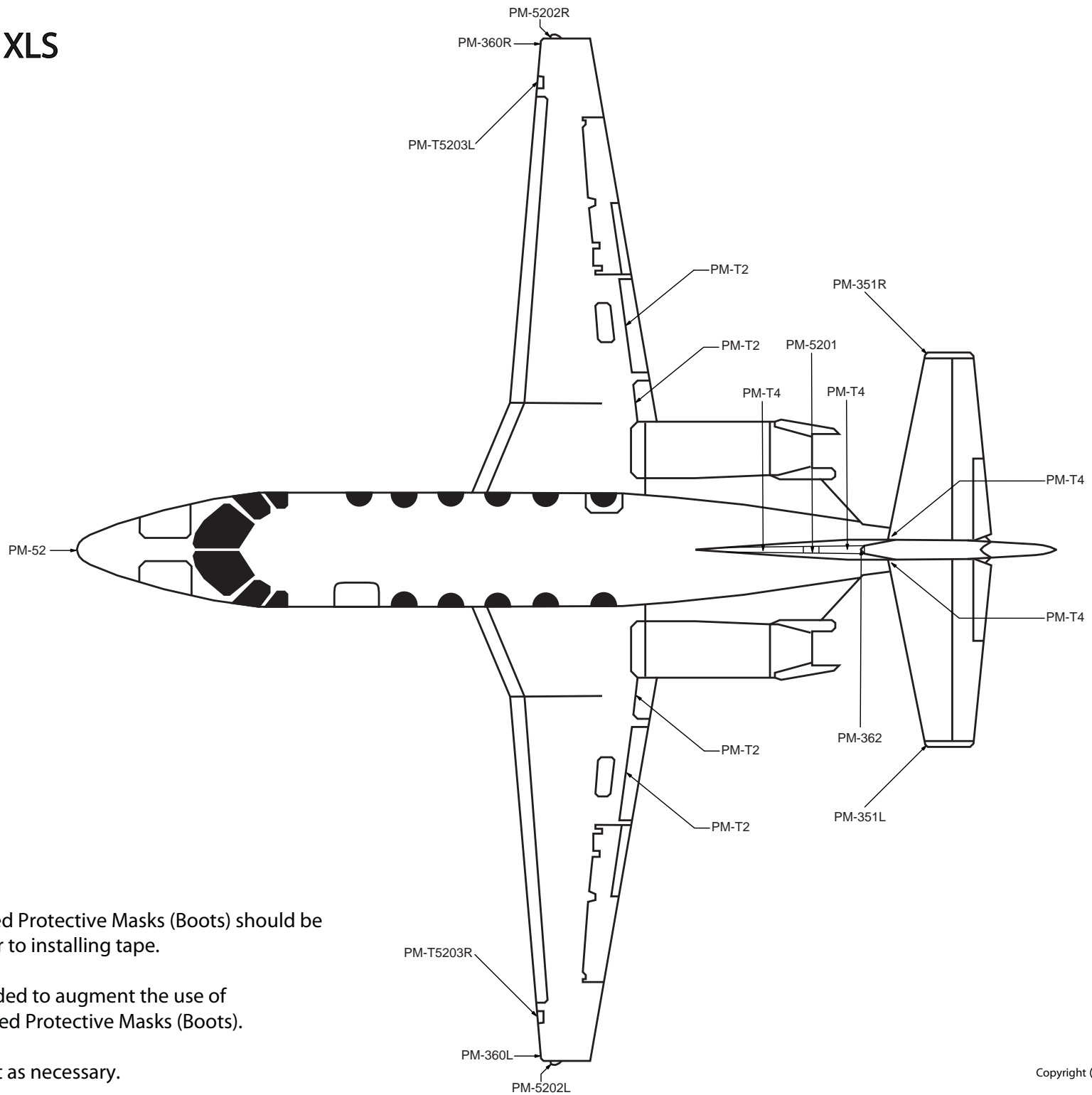
4110 Niles Hill Road  
Wellsville, NY 14895  
Phone (585) 593-3169  
FAX (585) 593-5637  
Web Address: [www.papa-mike.com](http://www.papa-mike.com)  
E-mail: [pmboots@papa-mike.com](mailto:pmboots@papa-mike.com)

## Erosion Protection Kit for the Cessna Citation 560 XLS

### PM-K560XLS

PRODUCT	PRODUCT ID
Radome Boot	PM-52
Dorsal Transition Mask	PM-5201
Nav Light Lens Mask	PM-5202
Wing Recognition Light Lens Mask Kit	PM-T5203
Wing Tip Mask Set (L&R)	PM-360
Vertical Tail Fin Mask	PM-362
Horizontal Stabilizer Tip Mask Set L&R	PM-351
Ice Wing Inspection Light Lens Kit L&R	PM-5205
L&R Landing Light Lens Kit	PM-5204
Cut Tape	

# Citation 560 XLS

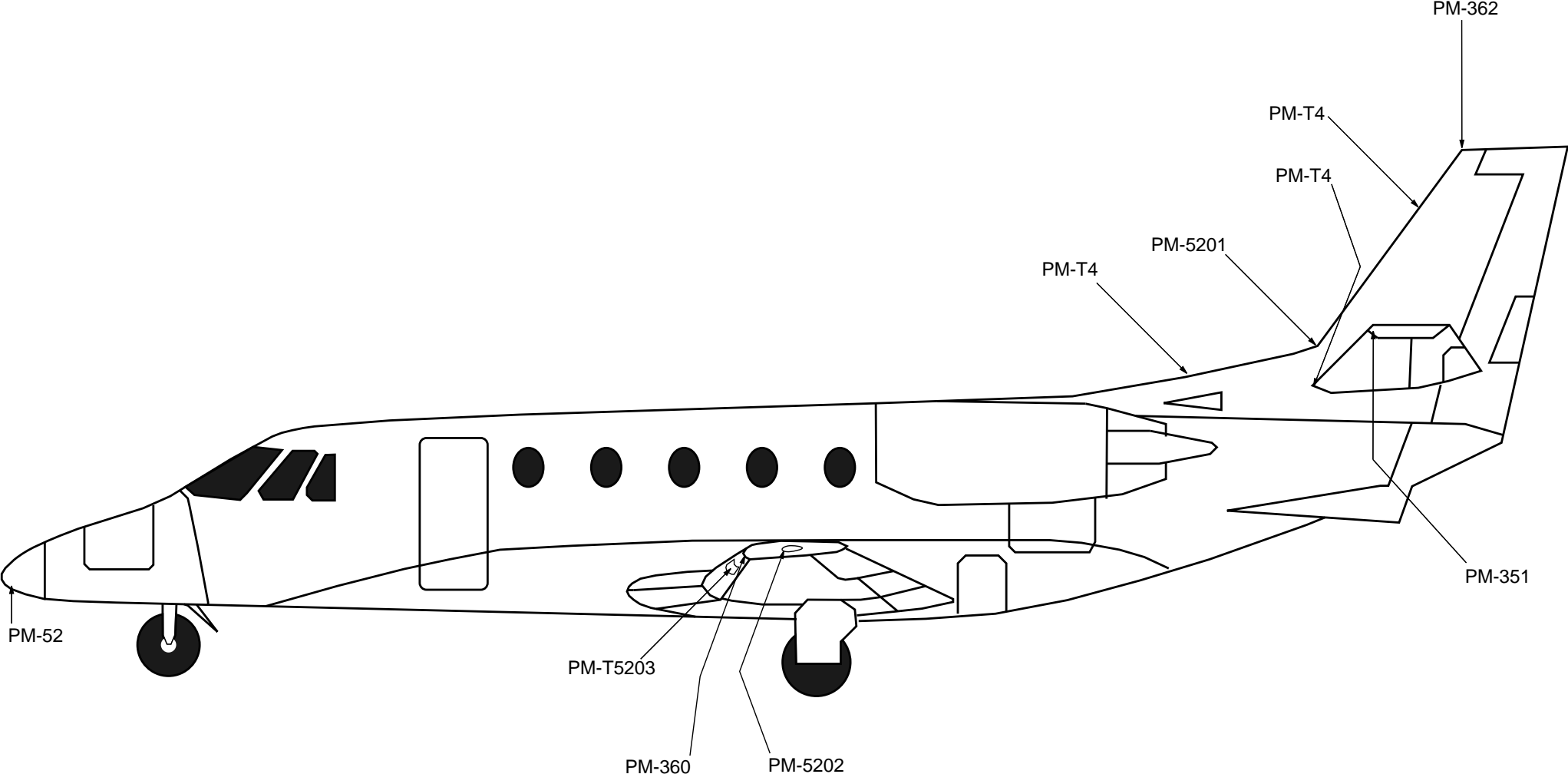


NOTE: All Pre-Formed Protective Masks (Boots) should be installed prior to installing tape.

NOTE: Tape is intended to augment the use of our Pre-Formed Protective Masks (Boots).

Cut tape to fit as necessary.

# Cessna Citation 560 XLS

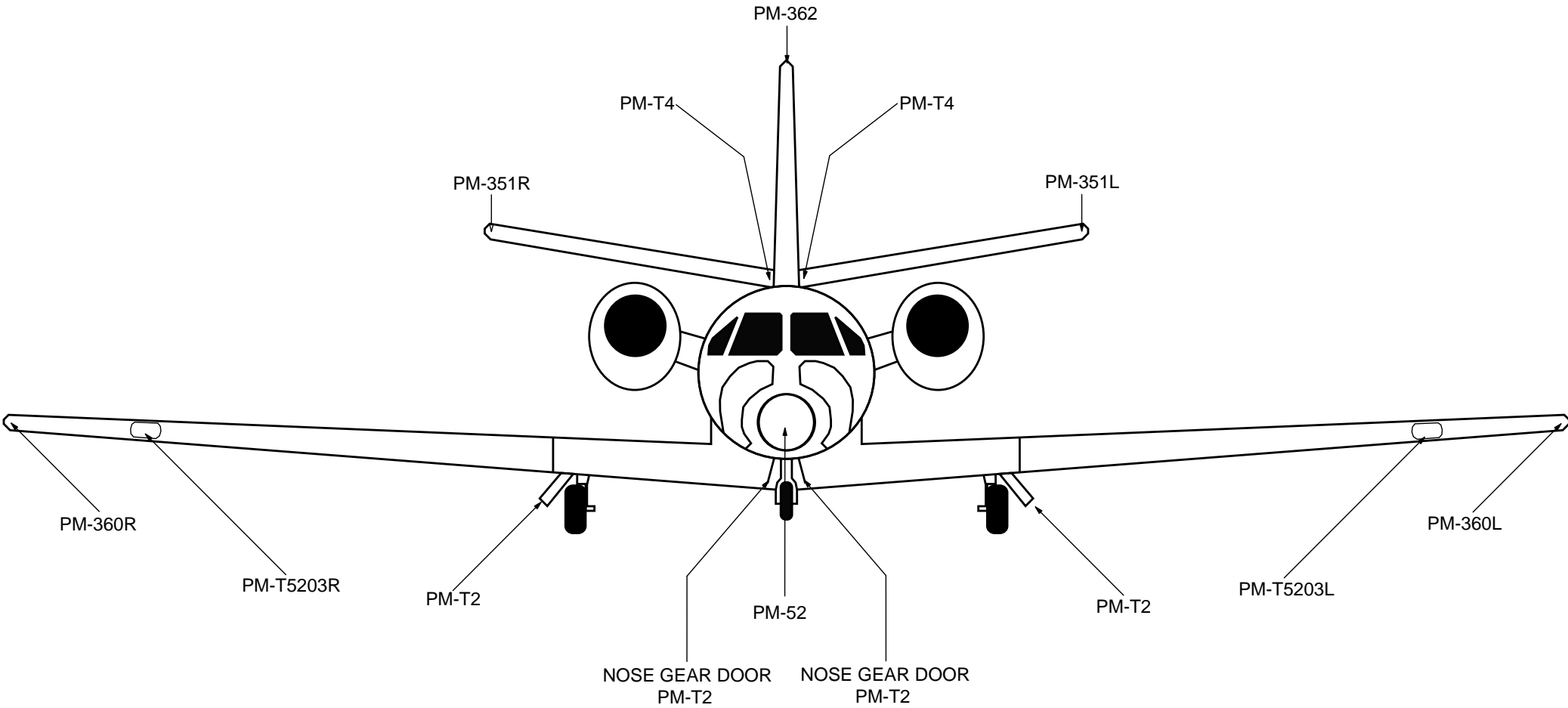


NOTE: All Pre-Formed Protective Masks (Boots) should be installed prior to installing tape.

NOTE: Tape is intended to augment the use of our Pre-Formed Protective Masks (Boots).

Cut tape to fit as necessary.

# Citation 560 XLS



NOTE: All Pre-Formed Protective Masks (Boots) should be installed prior to installing tape.

NOTE: Tape is intended to augment the use of our Pre-Formed Protective Masks (Boots).

Cut tape to fit as necessary.



**SIMPLY THE BEST**

4110 Niles Hill Road  
 Wellsville, NY 14895  
 Phone (585) 593-3169  
 FAX (585) 593-5637  
 Web Address: [www.papa-mike.com](http://www.papa-mike.com)  
 E-mail: [pmboots@papa-mike.com](mailto:pmboots@papa-mike.com)

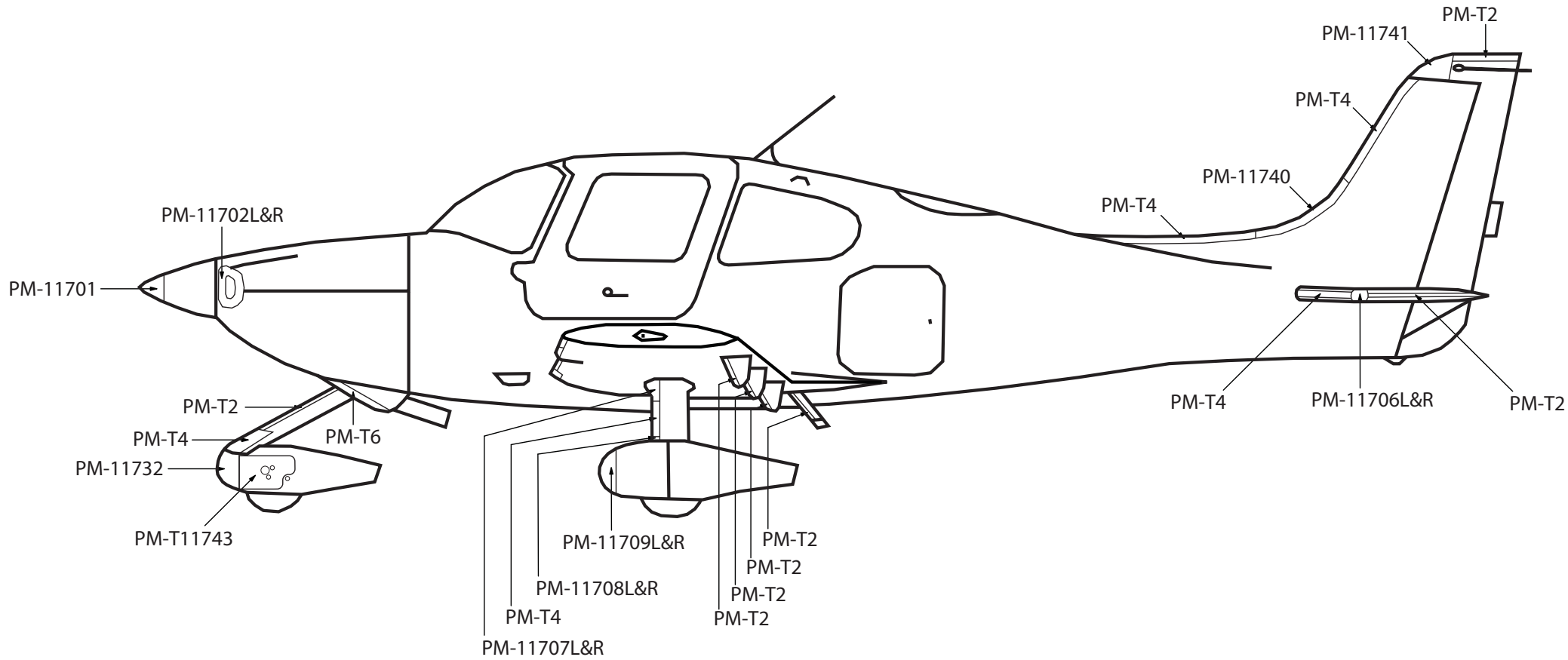
# CIRRUS SR-20 G-1 MODELS MASK AND TAPE KIT

## PM-KC20G1

PRODUCT	PRODUCT ID
Spinner Mask	PM-11701
Wing Root Fairing Mask Set	PM-11703
Engine Inlet Mask Set	PM-11702
Cabin Vent Wing Inlet Mask Left	PM-11704L
Cabin Vent Wing Inlet Mask Right	PM-11704R
Wing Tip Mask Set	PM-11749
Horizontal Stabilizer Tip Mask Set	PM-11706
Rudder Tip Mask	PM-11741
Nose Landing Gear Wheel Pants Mask	PM-11710
Main Landing Gear Wheel Pants Mask Left	PM-11709L
Main Landing Gear Wheel Pants Mask Right	PM-11709R
Upper Main Landing Gear Strut Fairing Mask Set	PM-11707
Lower Main Landing Gear Strut Fairing Mask Set	PM-11708
Landing Light Lens Tape Kit	PM-T11711
Cirrus Hand Hold Tape Kit	PM-T11754
Tow Bar Appoint Attach Kit	PM-T11743
Cut Tape	



# Cirrus SR-20, Generation 1

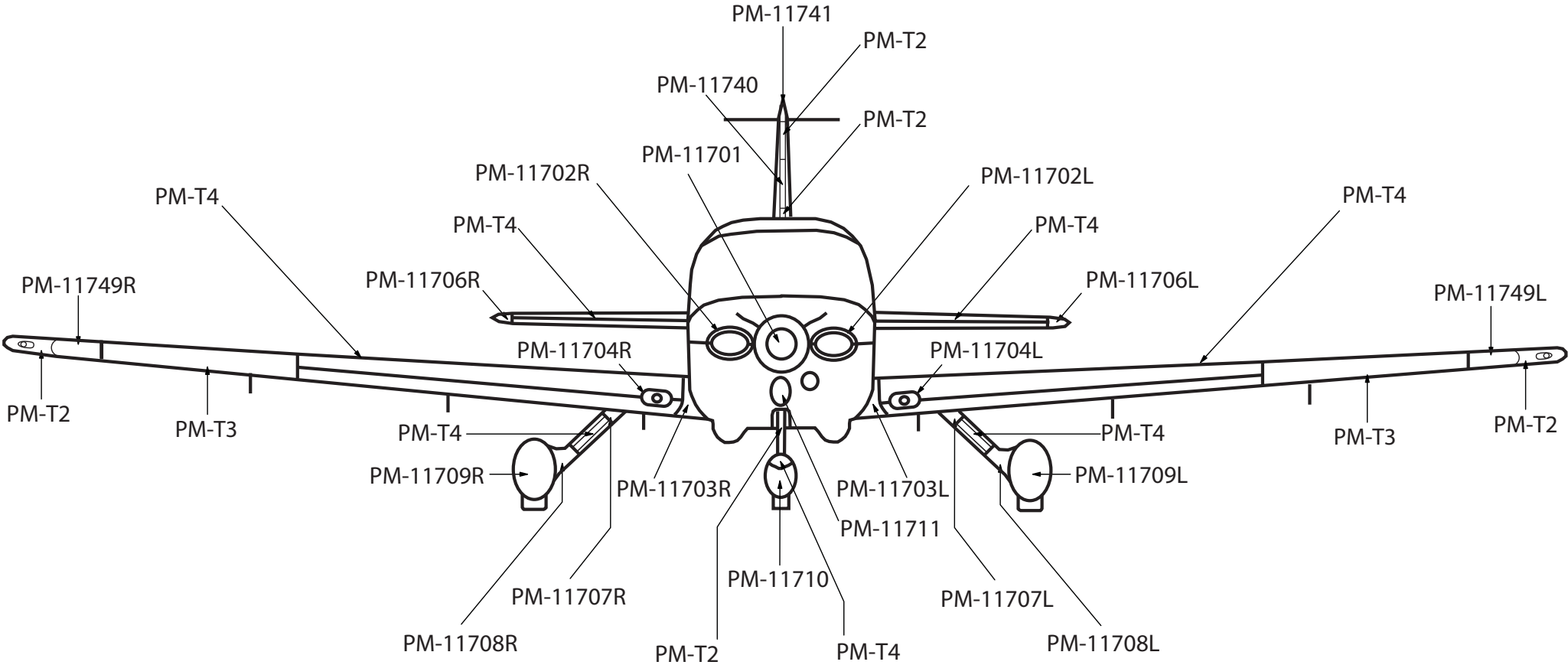


NOTE: All Pre-Formed Protective Masks (Boots) should be installed prior to installing tape.

NOTE: Tape is intended to augment the use of our Pre-Formed Protective Masks (Boots).

Cut tape to fit as necessary.

# Cirrus SR-20, Generation 1



NOTE: All Pre-Formed Protective Masks (Boots) should be installed prior to installing tape.

NOTE: Tape is intended to augment the use of our Pre-Formed Protective Masks (Boots).

Cut tape to fit as necessary.



**SIMPLY THE BEST**

4110 Niles Hill Road  
 Wellsville, NY 14895  
 Phone (585) 593-3169  
 FAX (585) 593-5637  
 Web Address: [www.papa-mike.com](http://www.papa-mike.com)  
 E-mail: [pmboots@papa-mike.com](mailto:pmboots@papa-mike.com)

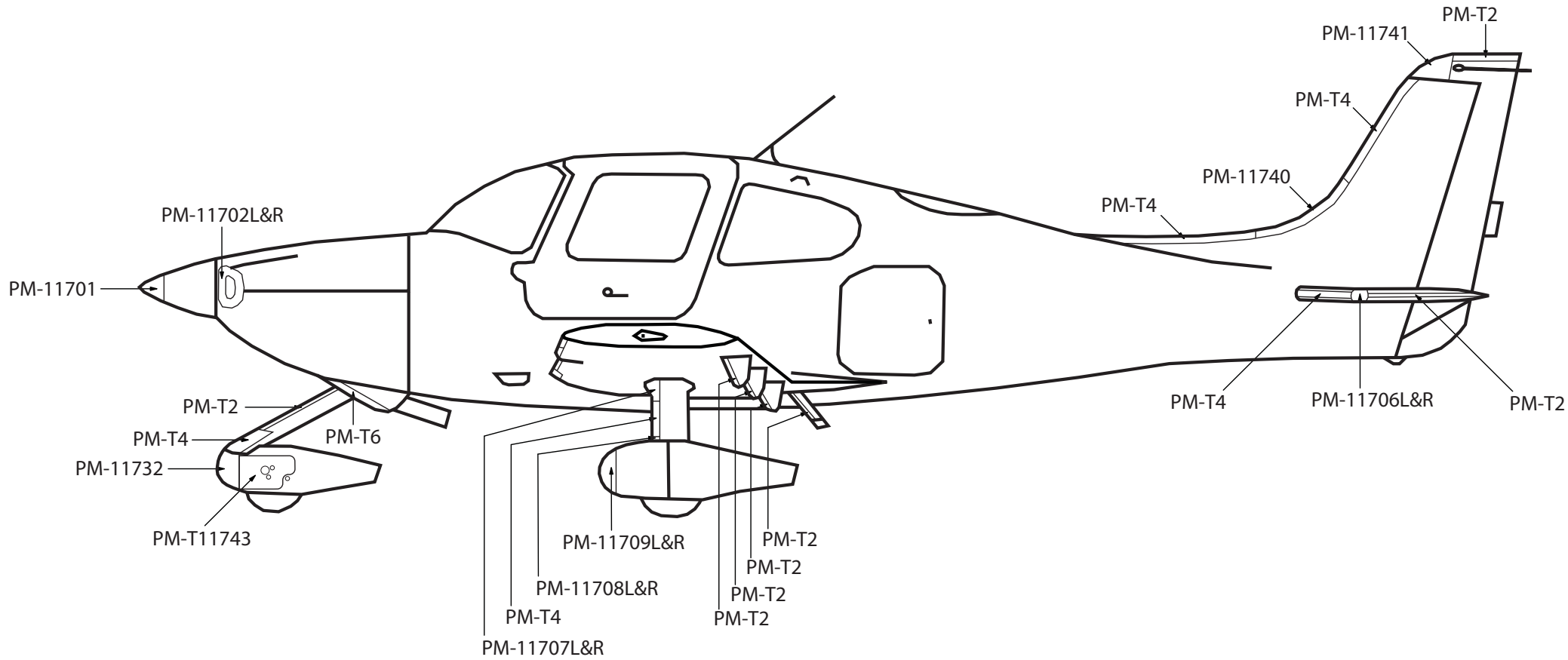
# CIRRUS SR-20 G-2 MODELS MASK AND TAPE KIT

## PM-KC20G2

PRODUCT	PRODUCT ID
Spinner Mask	PM-11701
Wing Root Fairing Mask Set	PM-11703
Engine Inlet Mask Set	PM-11702
Cabin Vent Wing Inlet Mask Left	PM-11704L
Cabin Vent Wing Inlet Mask Right	PM-11704R
Wing Tip Mask Set	PM-11705
Horizontal Stabilizer Tip Mask Set	PM-11706
Rudder Tip Mask	PM-11741
Nose Landing Gear Wheel Pants Mask	PM-11710
Main Landing Gear Wheel Pants Mask Left	PM-11709L
Main Landing Gear Wheel Pants Mask Right	PM-11709R
Upper Main Landing Gear Strut Fairing Mask Set	PM-11707
Lower Main Landing Gear Strut Fairing Mask Set	PM-11708
Landing Light Lens Tape Kit	PM-T11711
Cirrus Hand Hold Tape Kit	PM-T11754
Tow Bar Appoint Attach Kit	PM-T11743
Cut Tape	



# Cirrus SR-20, Generation 2

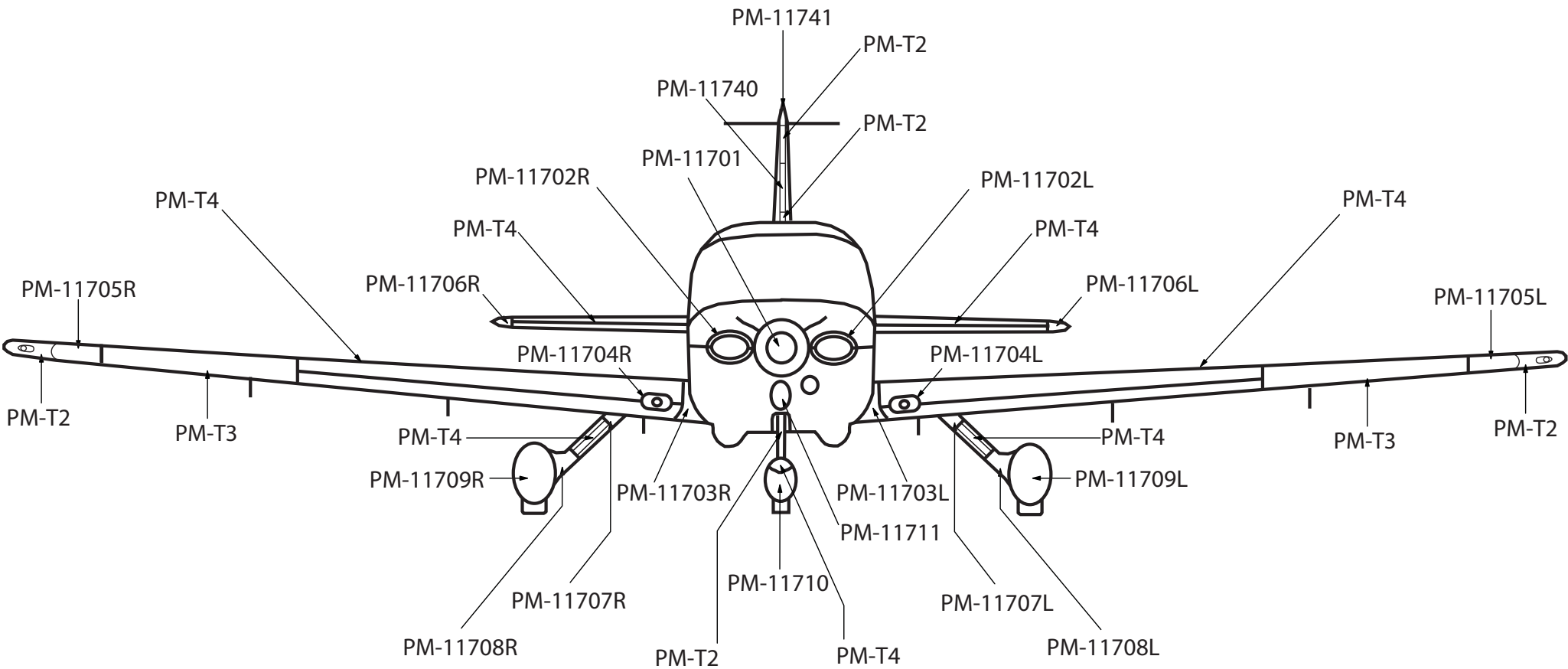


NOTE: All Pre-Formed Protective Masks (Boots) should be installed prior to installing tape.

NOTE: Tape is intended to augment the use of our Pre-Formed Protective Masks (Boots).

Cut tape to fit as necessary.

# Cirrus SR-20, Generation 2



NOTE: All Pre-Formed Protective Masks (Boots) should be installed prior to installing tape.

NOTE: Tape is intended to augment the use of our Pre-Formed Protective Masks (Boots).

Cut tape to fit as necessary.



**SIMPLY THE BEST**

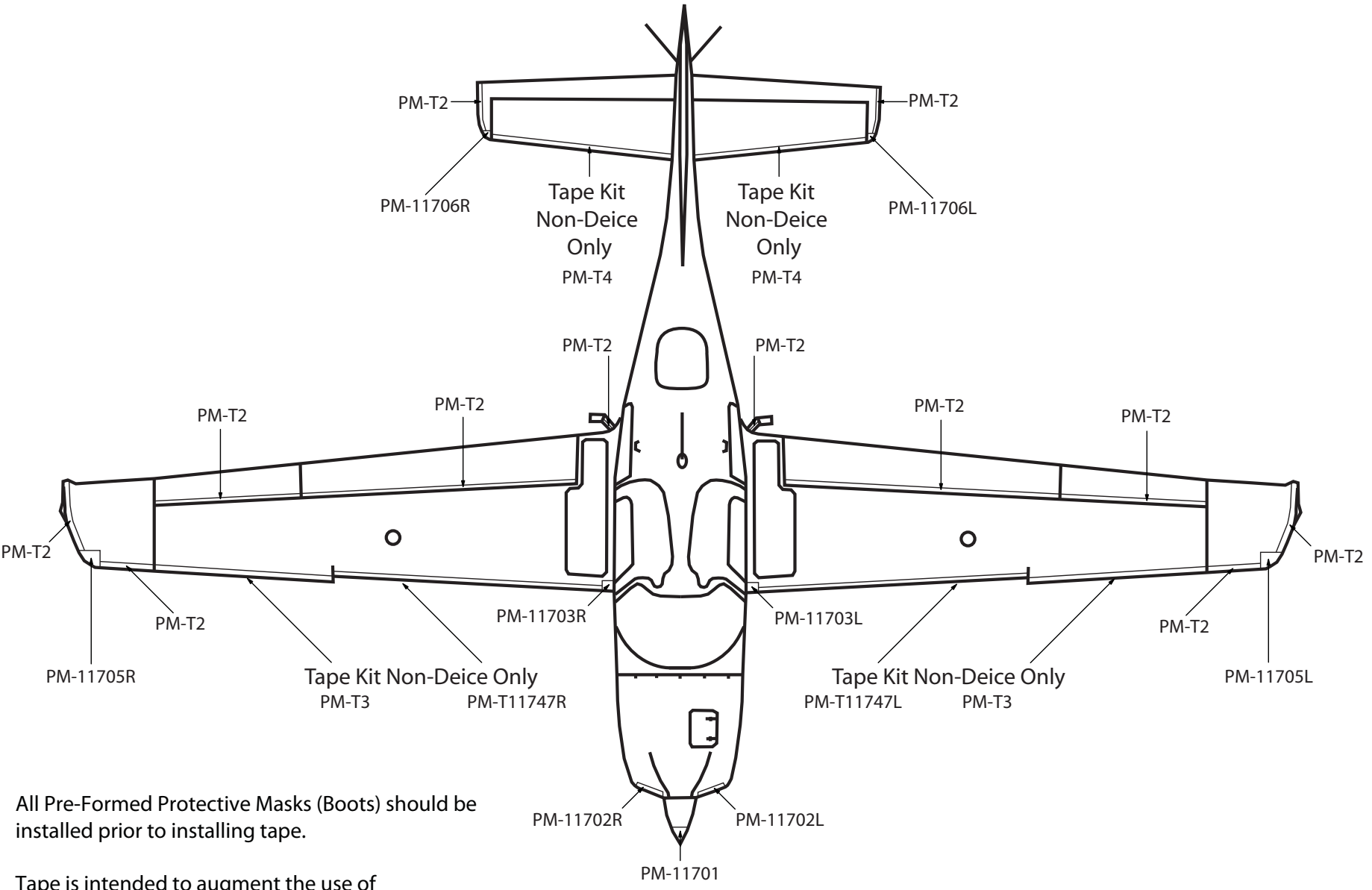
4110 Niles Hill Road  
 Wellsville, NY 14895  
 Phone (585) 593-3169  
 FAX (585) 593-5637  
 Web Address: [www.papa-mike.com](http://www.papa-mike.com)  
 E-mail: [pmboots@papa-mike.com](mailto:pmboots@papa-mike.com)

# CIRRUS SR-22 & SR-22 TURBO ICE MASK AND TAPE KIT

## PM-KC22 D

PRODUCT	PRODUCT ID
Spinner Mask	PM-11701
Wing Root Fairing Mask Set	PM-11703
Engine Inlet Mask Set	PM-11702
Cabin Vent Wing Inlet Mask Left	PM-11704L
Cabin Vent Wing Inlet Mask Right	PM-11704R
Wing Tip Mask Set	PM-11705
Horizontal Stabilizer Tip Mask Set	PM-11706
Rudder Tip Mask	PM-11741
Nose Landing Gear Wheel Pants Mask	PM-11710
Main Landing Gear Wheel Pants Mask Left	PM-11709L
Main Landing Gear Wheel Pants Mask Right	PM-11709R
Upper Main Landing Gear Strut Fairing Mask Set	PM-11707
Lower Main Landing Gear Strut Fairing Mask Set	PM-11708
Landing Light Lens Tape Kit	PM-T11711
Tow Bar Appoint Attach Kit	PM-T11743
Cirrus Hand Hold Tape Kit	PM-T11754
Wing Tip Recognition Light Lens Tape Kit	PM-T11746
Cut Tape	

# Cirrus SR-22 & 22 Turbo, Generation 1 & 2

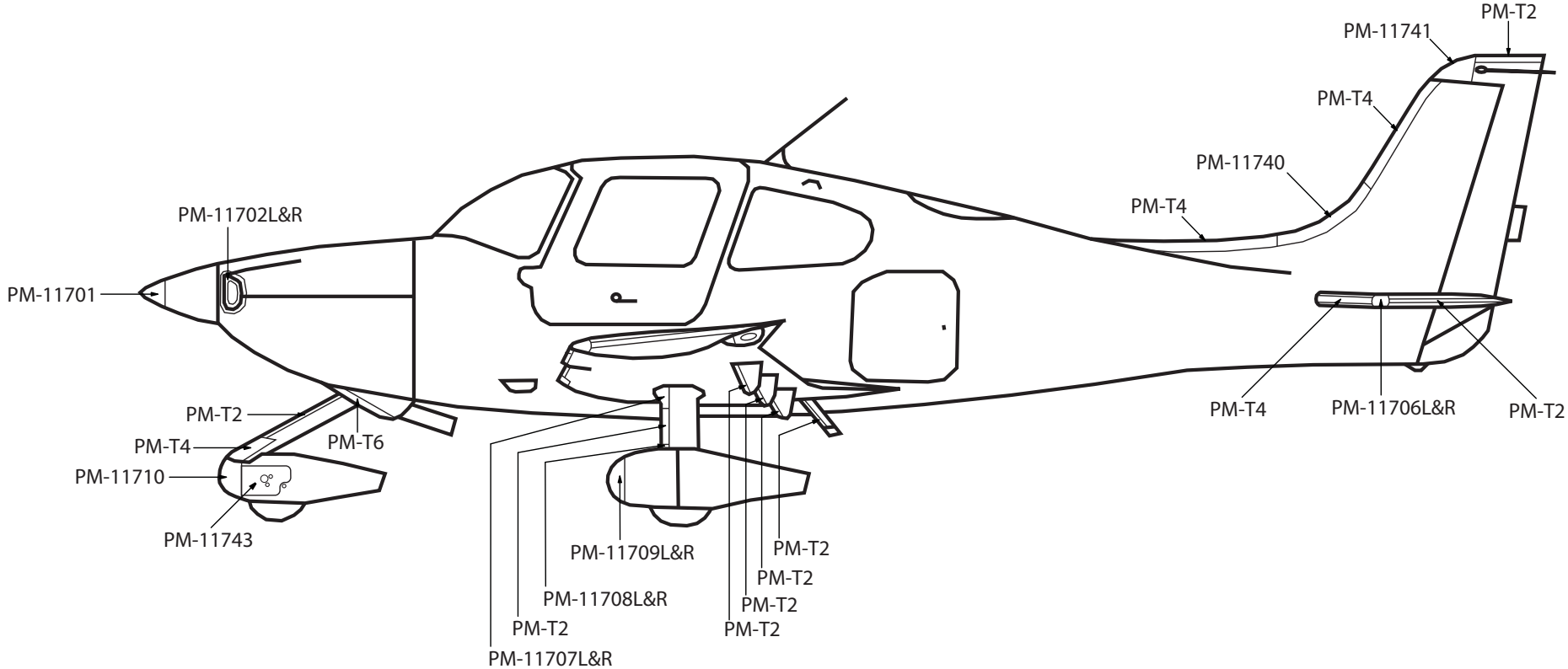


NOTE: All Pre-Formed Protective Masks (Boots) should be installed prior to installing tape.

NOTE: Tape is intended to augment the use of our Pre-Formed Protective Masks (Boots).

Cut tape to fit as necessary.

# Cirrus SR-22 & 22 Turbo, Generation 1 & 2

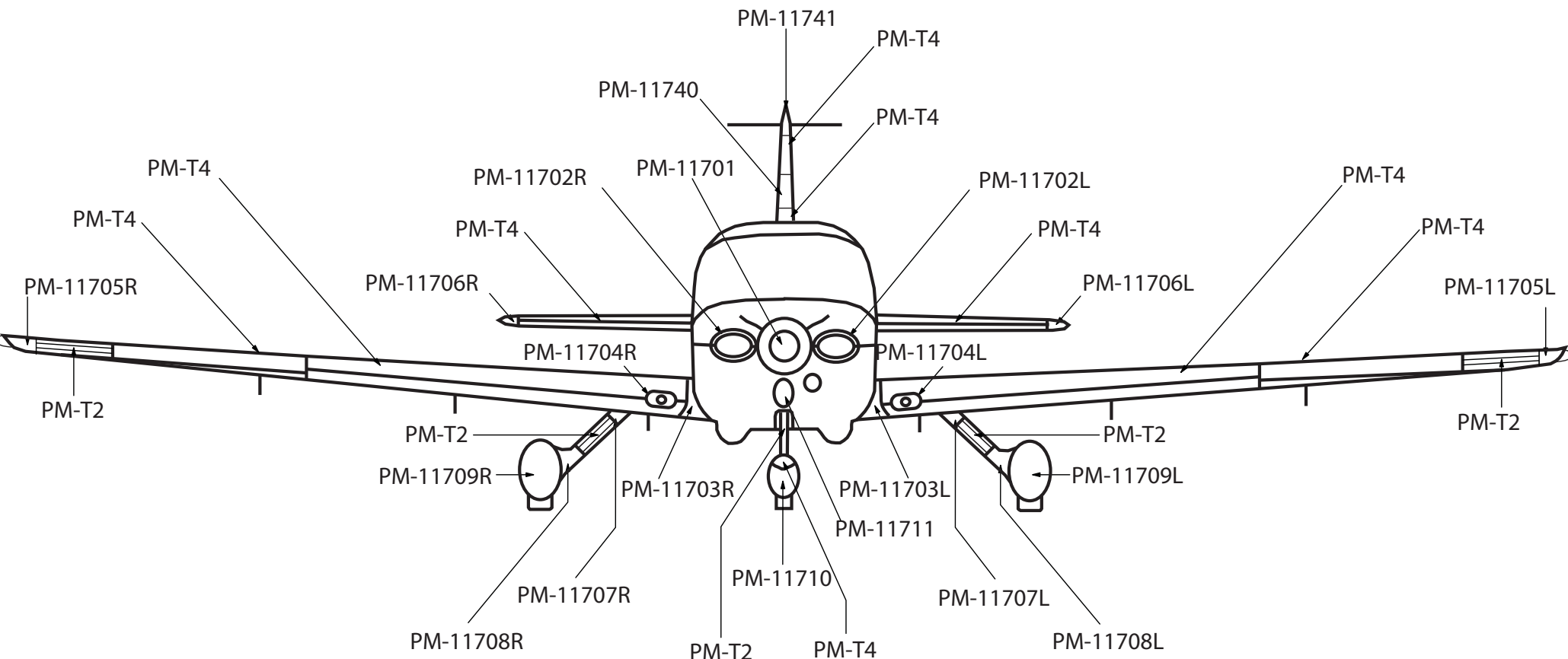


NOTE: All Pre-Formed Protective Masks (Boots) should be installed prior to installing tape.

NOTE: Tape is intended to augment the use of our Pre-Formed Protective Masks (Boots).

Cut tape to fit as necessary.

# Cirrus SR-22 & 22 Turbo, Generation 1 & 2



NOTE: All Pre-Formed Protective Masks (Boots) should be installed prior to installing tape.

NOTE: Tape is intended to augment the use of our Pre-Formed Protective Masks (Boots).

Cut tape to fit as necessary.



**SIMPLY THE BEST**

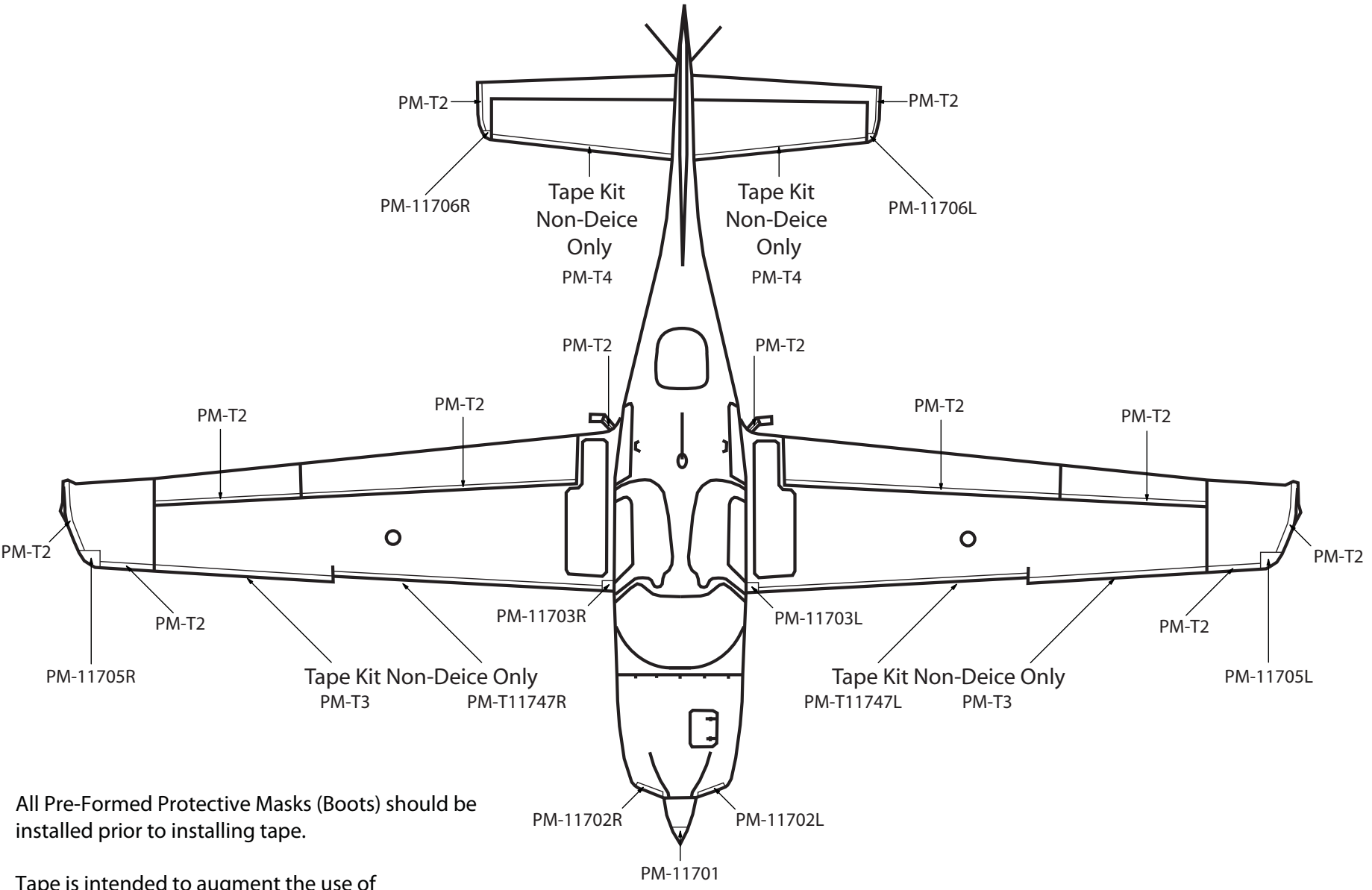
4110 Niles Hill Road  
 Wellsville, NY 14895  
 Phone (585) 593-3169  
 FAX (585) 593-5637  
 Web Address: [www.papa-mike.com](http://www.papa-mike.com)  
 E-mail: [pmboots@papa-mike.com](mailto:pmboots@papa-mike.com)

# CIRRUS SR-22 & SR-22 TURBO G-1 & G-2 MODELS W/O DE- ICE

## PM-KC22

PRODUCT	PRODUCT ID
Spinner Mask	PM-11701
Wing Root Fairing Mask Set	PM-11703
Engine Inlet Mask Set	PM-11702
Cabin Vent Wing Inlet Mask Left	PM-11704L
Cabin Vent Wing Inlet Mask Right	PM-11704R
Wing Tip Mask Set	PM-11705
Horizontal Stabilizer Tip Mask Set	PM-11706
Rudder Tip Mask	PM-11741
Nose Landing Gear Wheel Pants Mask	PM-11710
Main Landing Gear Wheel Pants Mask Left	PM-11709L
Main Landing Gear Wheel Pants Mask Right	PM-11709R
Upper Main Landing Gear Strut Fairing Mask Set	PM-11707
Lower Main Landing Gear Strut Fairing Mask Set	PM-11708
Landing Light Lens Tape Kit	PM-T11711
Tow Bar Appoint Attach Kit	PM-T11743
Cirrus Hand Hold Tape Kit	PM-T11754
Wing Tip Recognition Light Lens Tape Kit	PM-T11746
Cut Tape	

# Cirrus SR-22 & 22 Turbo, Generation 1 & 2

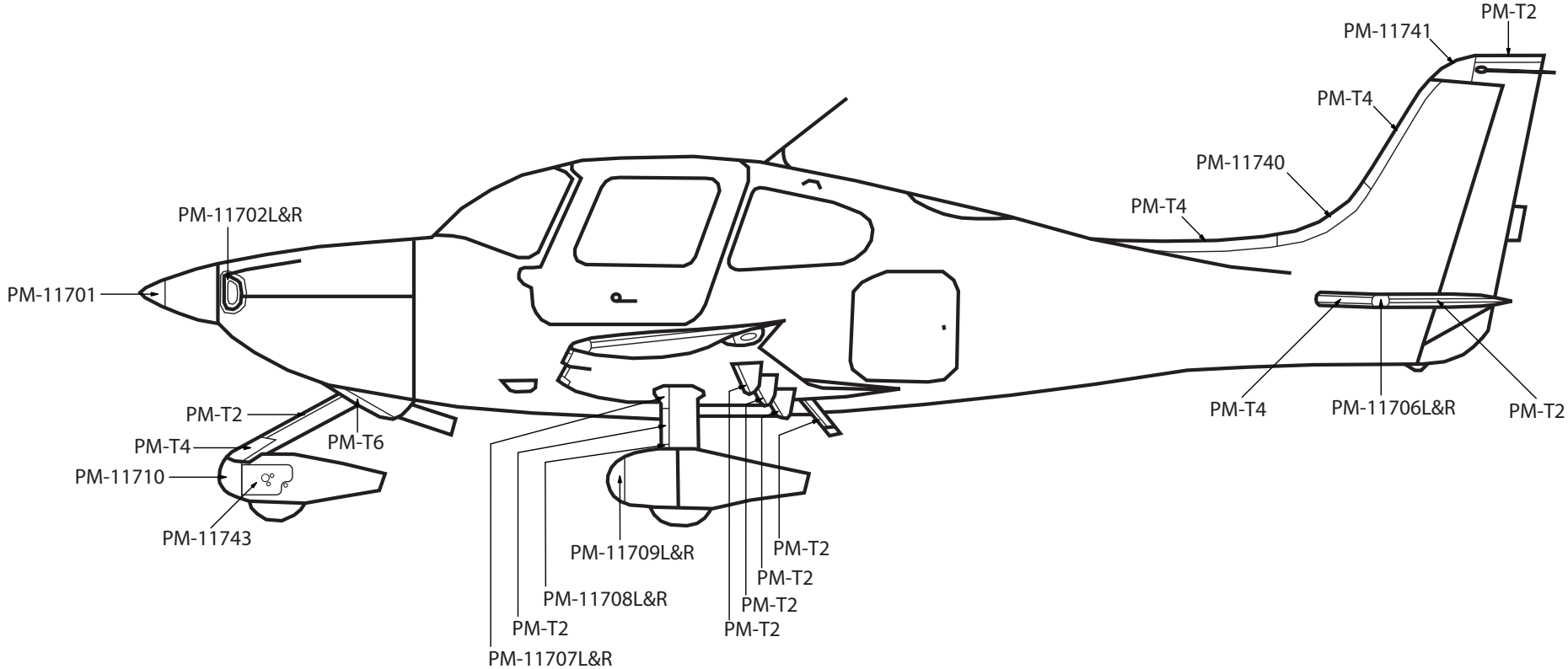


NOTE: All Pre-Formed Protective Masks (Boots) should be installed prior to installing tape.

NOTE: Tape is intended to augment the use of our Pre-Formed Protective Masks (Boots).

Cut tape to fit as necessary.

# Cirrus SR-22 & 22 Turbo, Generation 1 & 2

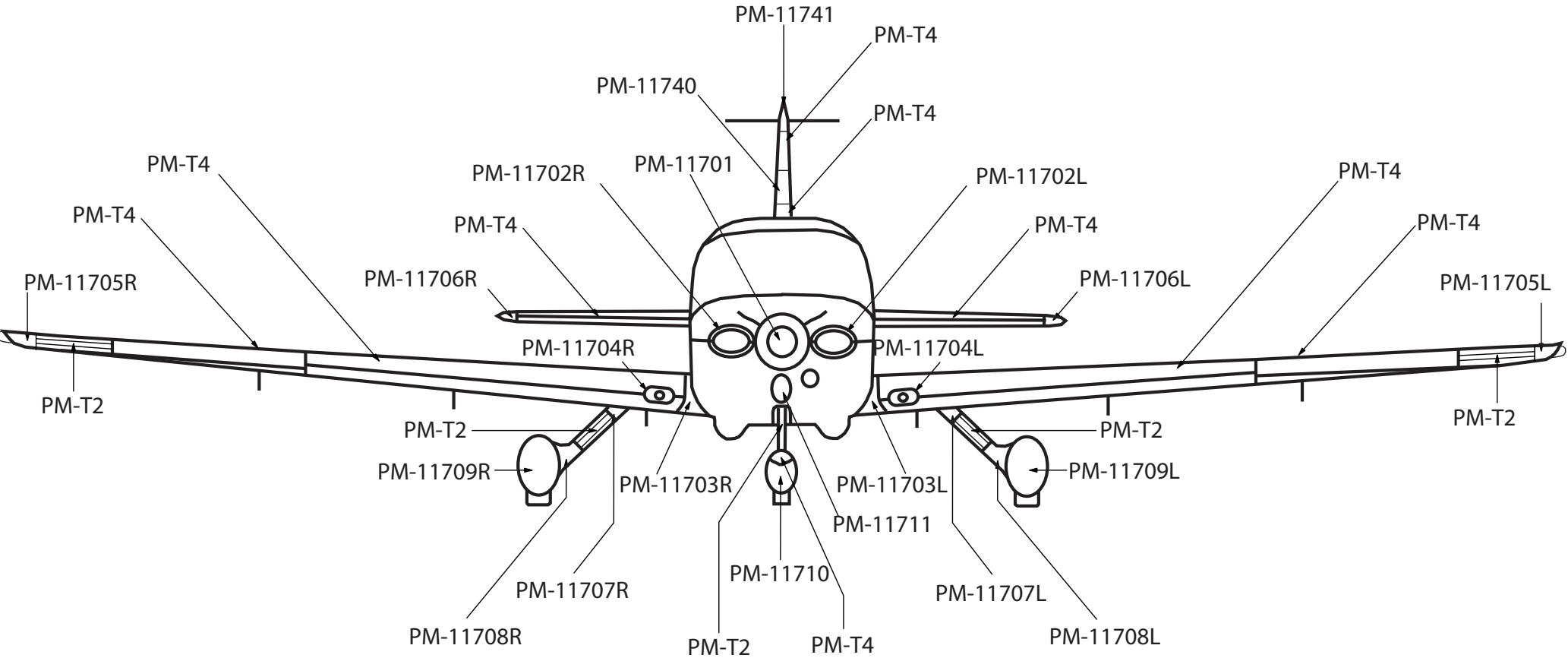


NOTE: All Pre-Formed Protective Masks (Boots) should be installed prior to installing tape.

NOTE: Tape is intended to augment the use of our Pre-Formed Protective Masks (Boots).

Cut tape to fit as necessary.

# Cirrus SR-22 & 22 Turbo, Generation 1 & 2



NOTE: All Pre-Formed Protective Masks (Boots) should be installed prior to installing tape.

NOTE: Tape is intended to augment the use of our Pre-Formed Protective Masks (Boots).

Cut tape to fit as necessary.



**SIMPLY THE BEST**

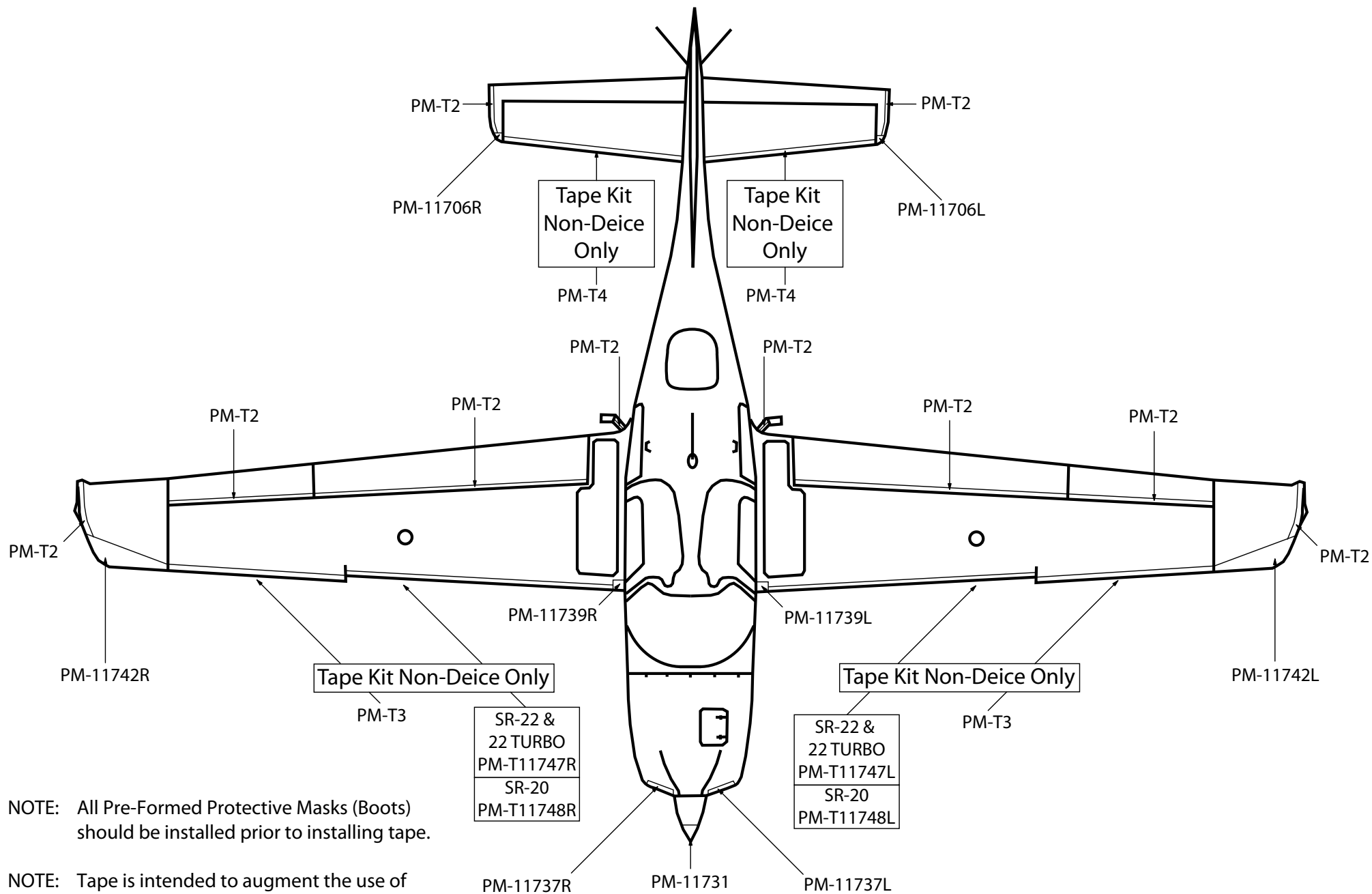
4110 Niles Hill Road  
Wellsville, NY 14895  
Phone (585) 593-3169  
FAX (585) 593-5637  
Web Address: [www.papa-mike.com](http://www.papa-mike.com)  
E-mail: [pmboots@papa-mike.com](mailto:pmboots@papa-mike.com)

# CIRRUS SR20,SR22 & SR-22 TURBO G-3 MODELS W/O DE-ICE MASK & TAPE KIT

## PM-KCG3

PRODUCT	PRODUCT ID
Spinner Mask	PM-11731
Wing Root Fairing Mask Set	PM-11739L&R
Wing Tip Mask Set	PM-11742L&R
Horizontal Stabilizer Tip Mask Set	PM-11706L&R
Rudder Tip Mask	PM-11741
Nose Landing Gear Wheel Pants Mask	PM-11732
Main Landing Gear Wheels Pants Mask, L	PM-11733L
Main Landing Gear Wheels Pants Mask, R	PM-11733R
Upper Main Landing Gear Strut Fairing Mask, Set	PM-11735L&R
Lower Main Landing Gear Strut Fairing Mask Set	PM-11736L&R
Inboard Wing Tape Kit, L&R (SR-22 Series only)	PM-T11747
Inboard Wing Tape Kit, L&R (SR-20 Series only)	PM-T11748
Nose Landing Light Lens Tape Kit	PM-T11745
Tow Bar Attach Point Tape Kit, L&R	PM-T11743L&R
Cirrus Hand Hold Tape Kit	PM-T11754
Wing Tip Recognition Light Lens Tape Kit, L&R	PM-T11746L&R
Cut Tape	

# Cirrus SR-20, SR-22 & SR-22 Turbo, Generation 3

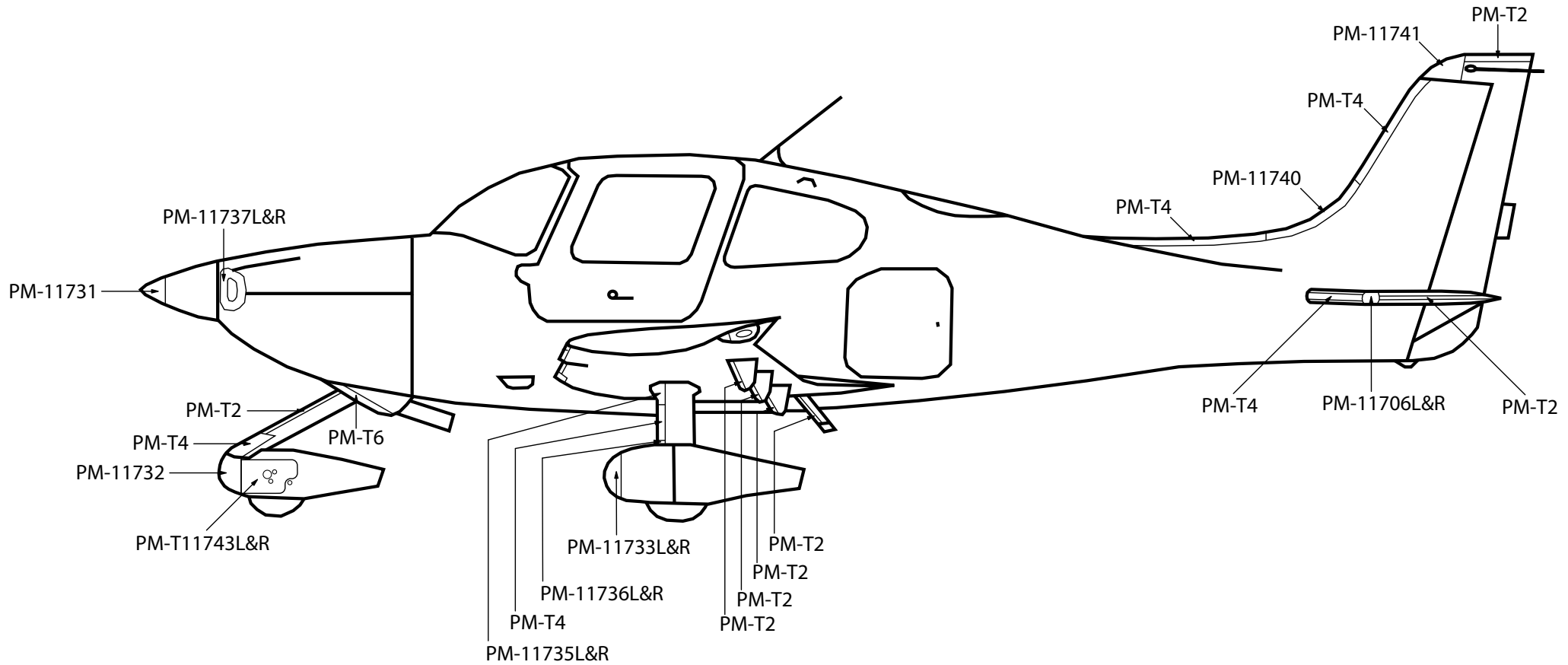


NOTE: All Pre-Formed Protective Masks (Boots) should be installed prior to installing tape.

NOTE: Tape is intended to augment the use of our Pre-Formed Protective Masks (Boots).

Cut tape to fit as necessary.

# Cirrus SR-20, SR-22 & SR-22 Turbo, Generation 3

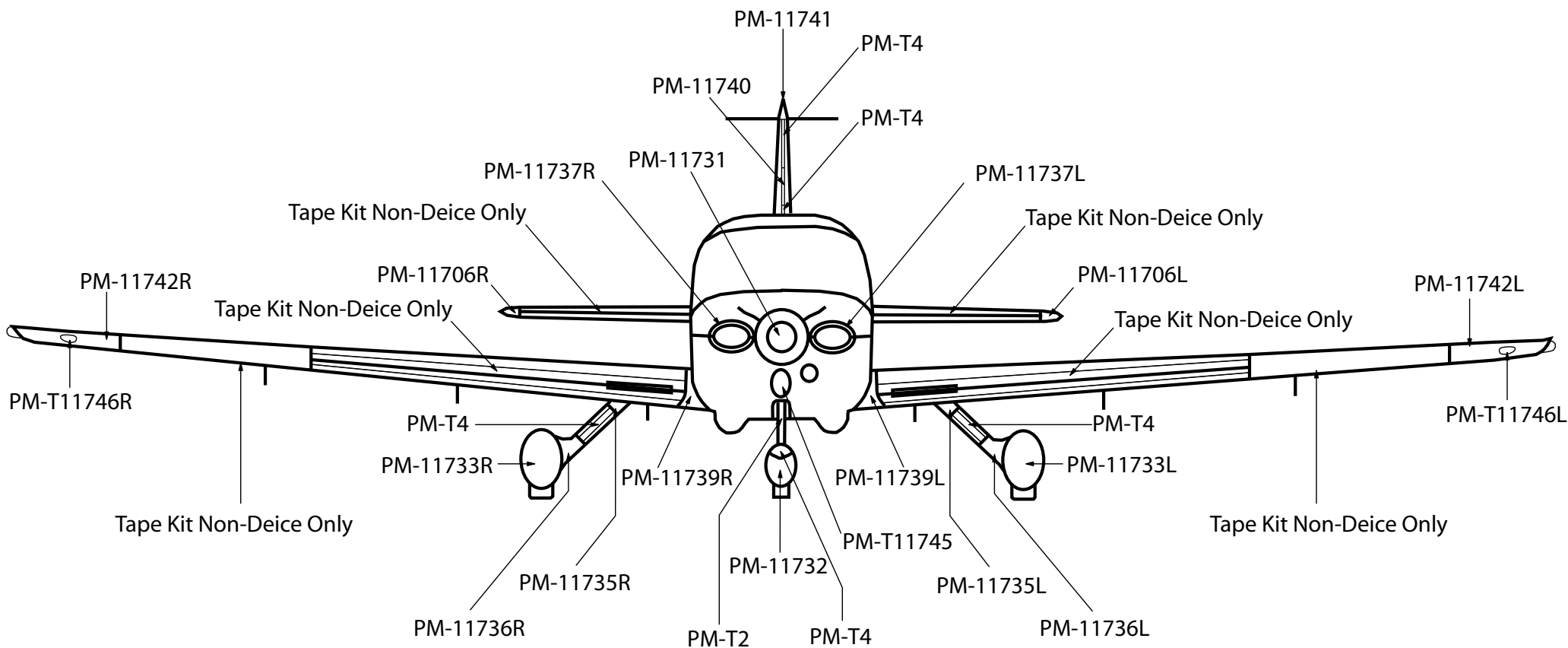


NOTE: All Pre-Formed Protective Masks (Boots) should be installed prior to installing tape.

NOTE: Tape is intended to augment the use of our Pre-Formed Protective Masks (Boots).

Cut tape to fit as necessary.

# Cirrus SR-20, SR-22 & SR-22 Turbo, Generation 3



NOTE: All Pre-Formed Protective Masks (Boots) should be installed prior to installing tape.

NOTE: Tape is intended to augment the use of our Pre-Formed Protective Masks (Boots).

Cut tape to fit as necessary.



**SIMPLY THE BEST**

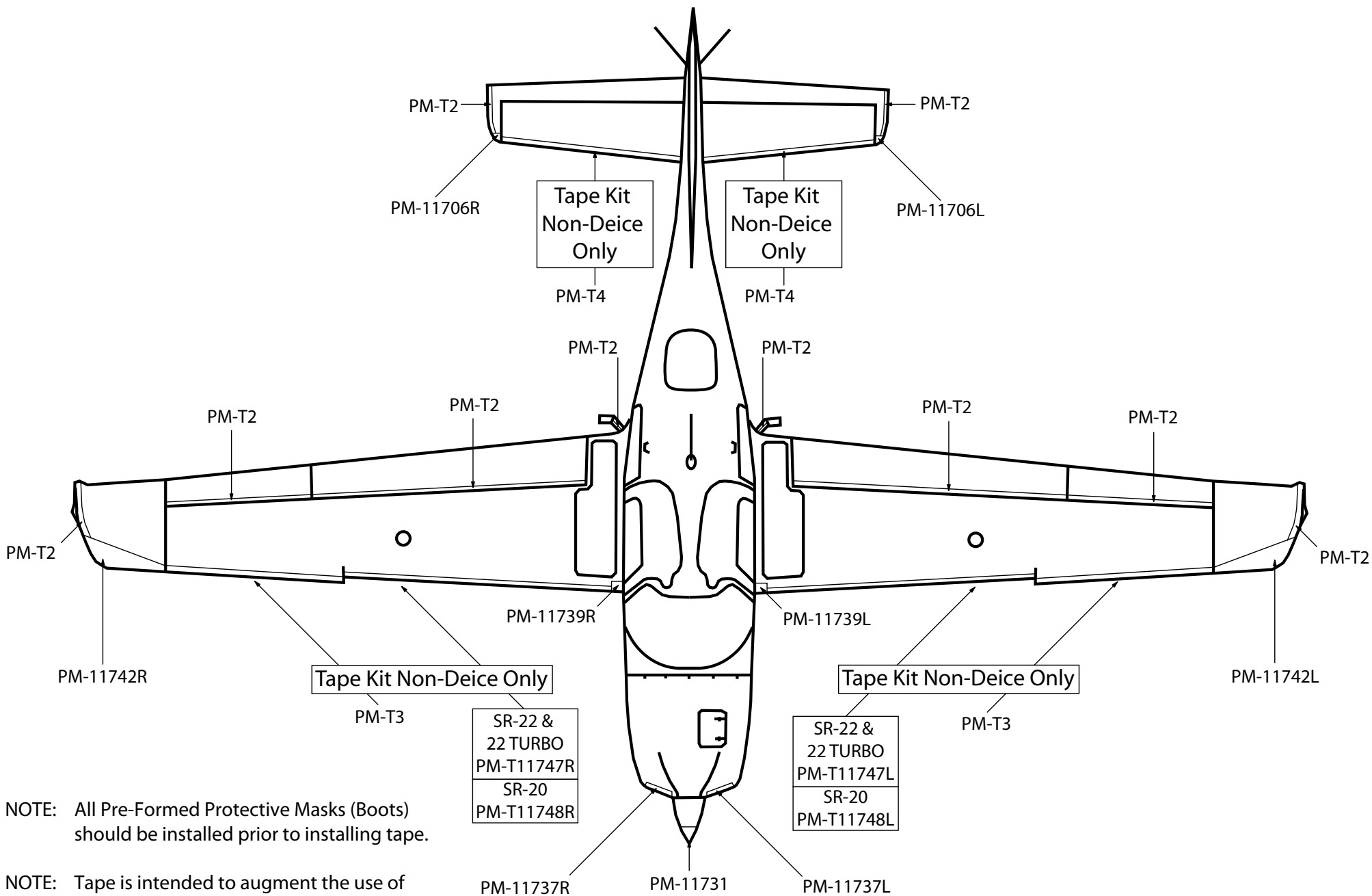
4110 Niles Hill Road  
Wellsville, NY 14895  
Phone (585) 593-3169  
FAX (585) 593-5637  
Web Address: [www.papa-mike.com](http://www.papa-mike.com)  
E-mail: [pmboots@papa-mike.com](mailto:pmboots@papa-mike.com)

## **CIRRUS SR20 SR22 & SR-22 TURBO G-3 (WITH DE-ICE) MASK AND TAPE KIT**

### **PM-KCG3D**

<b>PRODUCT</b>	<b>PRODUCT ID</b>
Spinner Mask	PM-11731
Engine Inlet Mask, L	PM-11737L
Engine Inlet Mask, R	PM-11737R
Wing Root Fairing Mask Set	PM-11739
Wing Tip Mask Set	PM-11742
Horizontal Stabilizer Tip Mask Set	PM-11706
Rudder Tip Mask	PM-11741
Nose Landing Gear Wheel Pants Mask	PM-11732
Main Landing Gear Wheels Pants Mask, L	PM-11733L
Main Landing Gear Wheels Pants Mask, R	PM-11733R
Upper Main Landing Gear Strut Fairing Mask, Set	PM-11735
Lower Main Landing Gear Strut Fairing Mask Set	PM-11736
Nose Landing Light Lens Tape Kit	PM-T11745
Tow Bar Attach Point Tape Kit, L&R	PM-T11743
Cirrus Hand Hold Tape Kit	PM-T11754
Wing Tip Recognition Light Lens Tape Kit, L&R	PM-T11746
Cut Tape	

# Cirrus SR-20, SR-22 & SR-22 Turbo, Generation 3

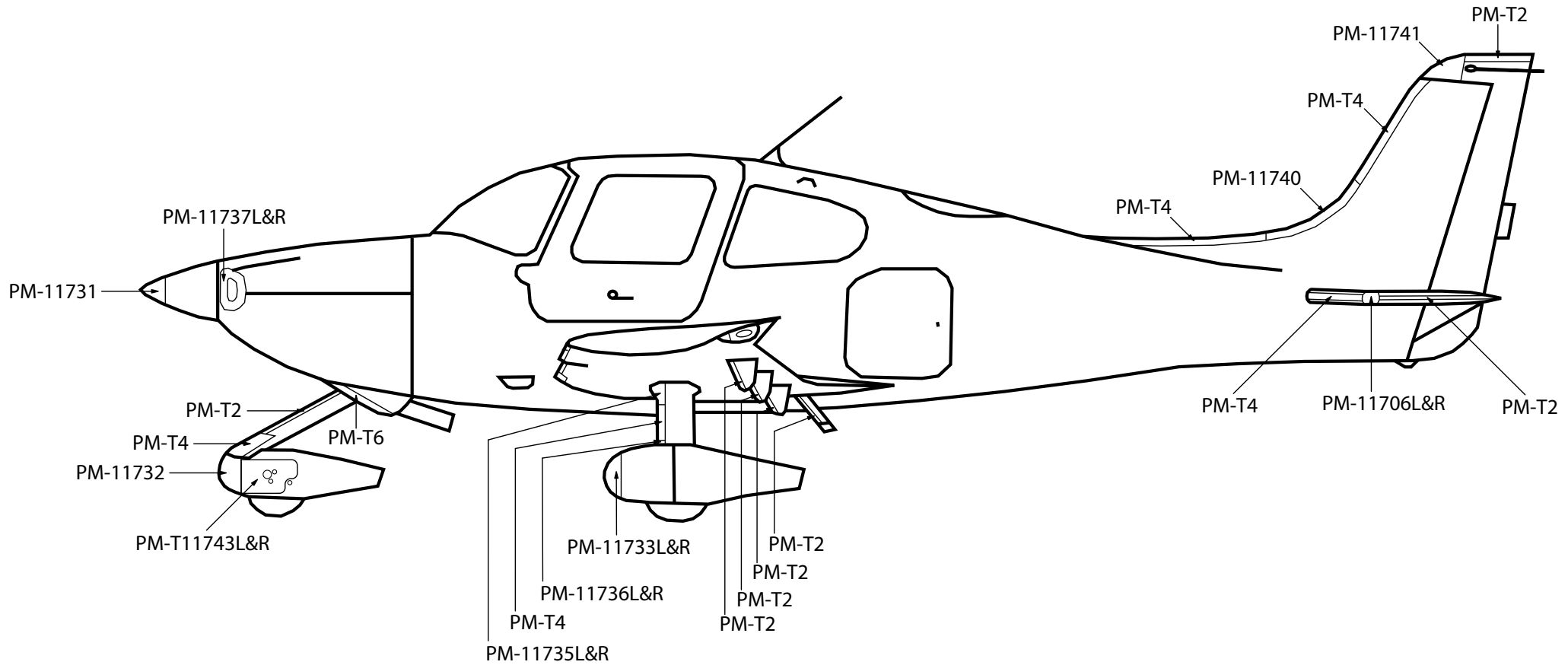


NOTE: All Pre-Formed Protective Masks (Boots) should be installed prior to installing tape.

NOTE: Tape is intended to augment the use of our Pre-Formed Protective Masks (Boots).

Cut tape to fit as necessary.

# Cirrus SR-20, SR-22 & SR-22 Turbo, Generation 3



NOTE: All Pre-Formed Protective Masks (Boots) should be installed prior to installing tape.

NOTE: Tape is intended to augment the use of our Pre-Formed Protective Masks (Boots).

Cut tape to fit as necessary.





**SIMPLY THE BEST**

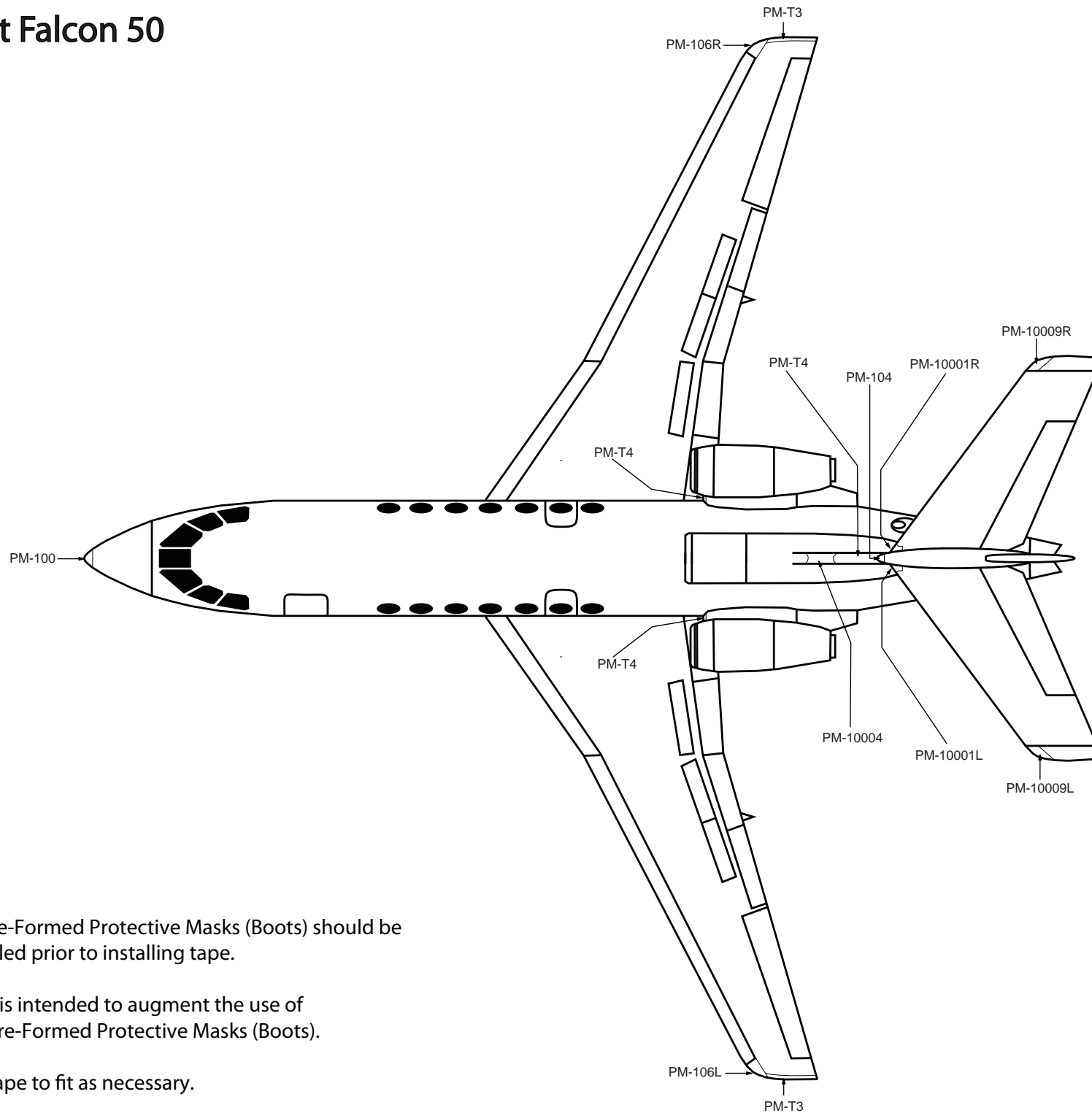
4110 Niles Hill Road  
Wellsville, NY 14895  
Phone (585) 593-3169  
FAX (585) 593-5637  
Web Address: [www.papa-mike.com](http://www.papa-mike.com)  
E-mail: [pmboots@papa-mike.com](mailto:pmboots@papa-mike.com)

## Erosion Protection Kit for the Dassault Falcon 50

### PM-KF50

PRODUCT	PRODUCT ID
Radome Boot	PM-100
Navigation Light Lens, Left	PM-106L
Navigation Light Lens, Right	PM-106R
SATCOM Antenna Mask	PM-104
Horizontal Stabilizer Wing Root Fairing	PM-10001
#2 Engine Pylon Mask	PM-10002
Vertical Stabilizer Chin Fairing Mask	PM-10003
Dorsal Transition Mask	PM-10004
Inboard Flap Track Fairing Mask	PM-10005
Fwd Center Flap Track Fairing Mask	PM-10006
Aft Center Flap Track Fairing Mask	PM-10007
Outboard Flap Track Fairing Mask	PM-10008
Horizontal Stabilizer Tip Mask, Left	PM-10009L
Horizontal Stabilizer Tip Mask, Right	PM-10009R
Landing Light Lens Tape Kit	PM-T10010
Cut Tape	

# Dassault Falcon 50

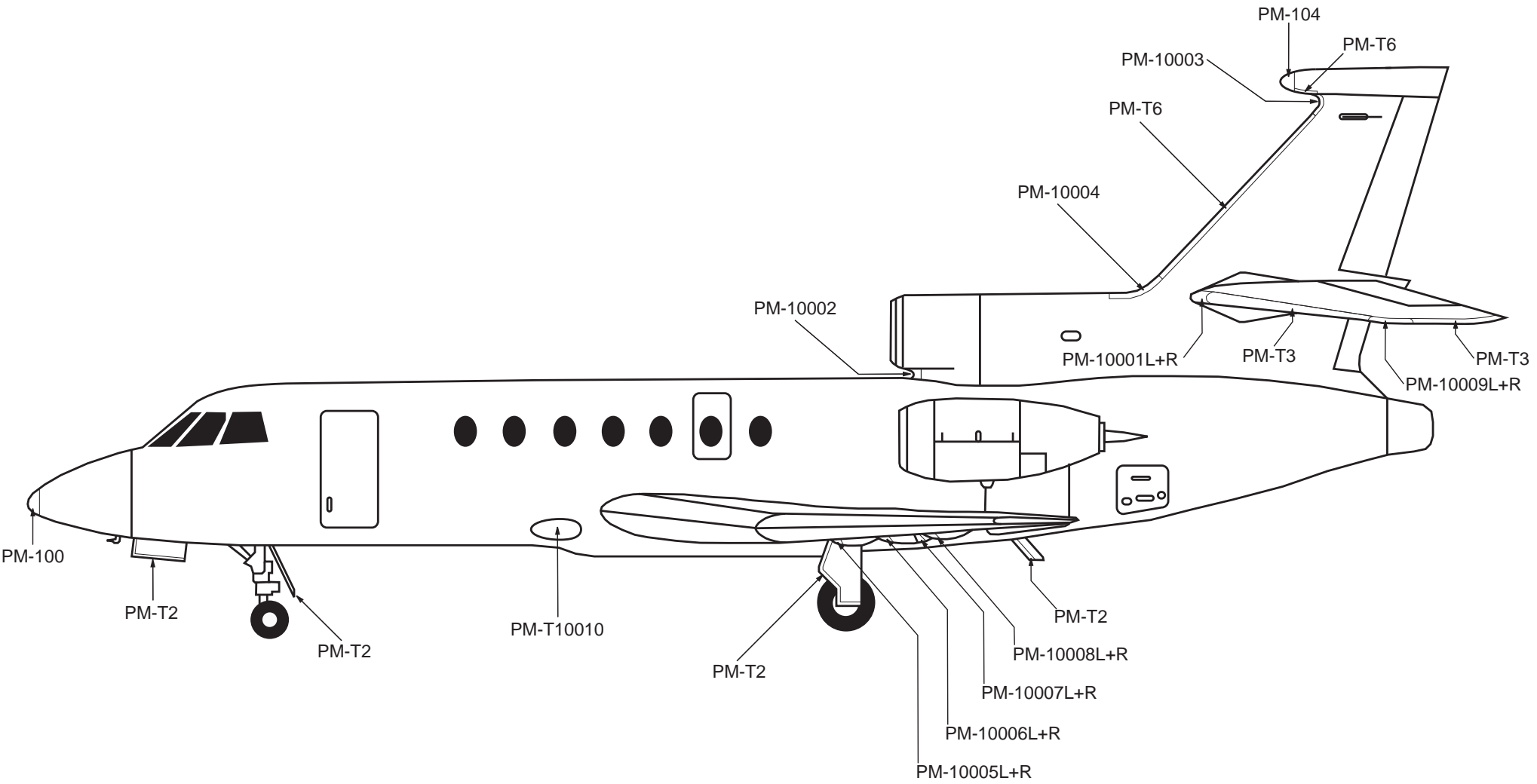


NOTE: All Pre-Formed Protective Masks (Boots) should be installed prior to installing tape.

NOTE: Tape is intended to augment the use of our Pre-Formed Protective Masks (Boots).

Cut tape to fit as necessary.

# Dassault Falcon 50

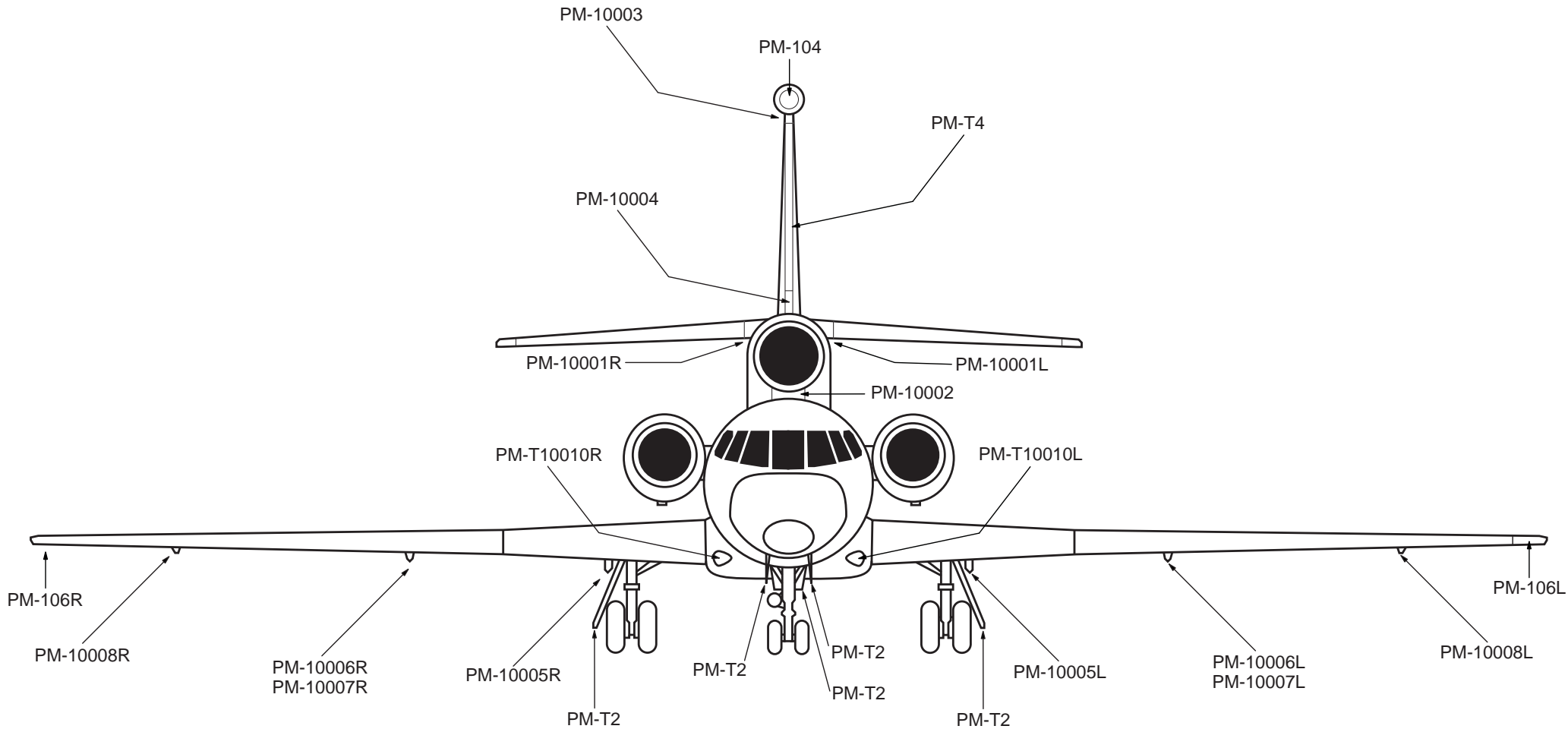


NOTE: All Pre-Formed Protective Masks (Boots) should be installed prior to installing tape.

NOTE: Tape is intended to augment the use of our Pre-Formed Protective Masks (Boots).

Cut tape to fit as necessary.

# Dassault Falcon 50



NOTE: All Pre-Formed Protective Masks (Boots) should be installed prior to installing tape.

NOTE: Tape is intended to augment the use of our Pre-Formed Protective Masks (Boots).

Cut tape to fit as necessary.



**SIMPLY THE BEST**

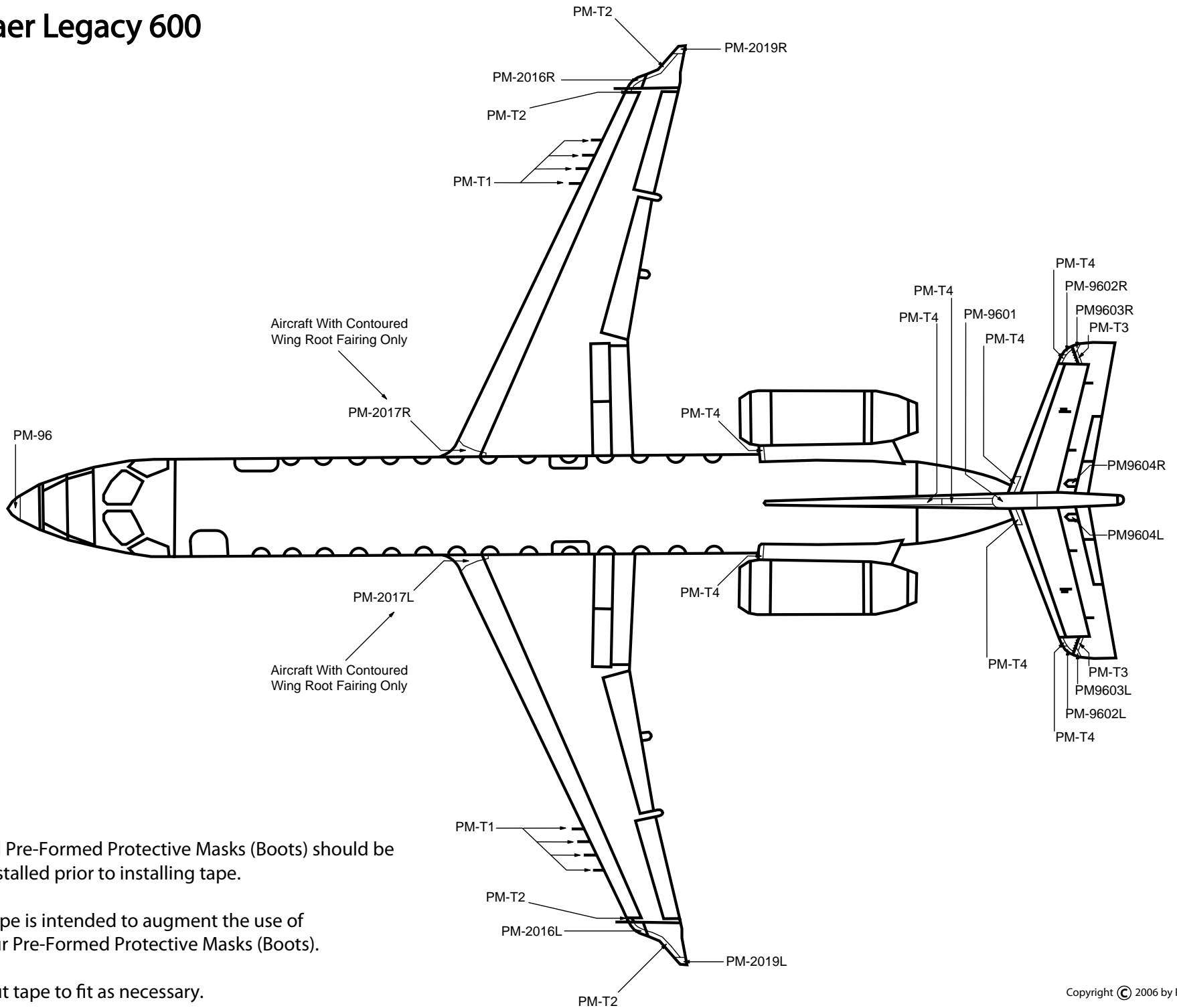
4110 Niles Hill Road  
Wellsville, NY 14895  
Phone (585) 593-3169  
FAX (585) 593-5637  
Web Address: [www.papa-mike.com](http://www.papa-mike.com)  
E-mail: [pmboots@papa-mike.com](mailto:pmboots@papa-mike.com)

## **Erosion Protection Kit for the Embraer ERJ-135 / Legacy 600 With Contoured Wingroots**

### **PM-K600L-1**

<b>PRODUCT</b>	<b>PRODUCT ID</b>
Radome Boot	<b>PM-96</b>
Navigation Light Lens Mask Set L&R	<b>PM-2016</b>
Wing Root Fairing Mask Set L&R	<b>PM-2017</b>
Lower Fuselage Drain Duct Fairing Mask	<b>PM-2018</b>
Winglet Tip Mask Set L&R	<b>PM-2019</b>
Vertical Stabilizer Tip Mask	<b>PM-9601</b>
Horizontal Stabilizer Tip Mask Set L&R	<b>PM-9602</b>
Elevator Horn Tip Mask Set L&R	<b>PM-9603</b>
Elev Inbd TrimTab Acuator Fairing Mask Set L&R	<b>PM-9604</b>
Landing Light Tape Kit	<b>PM-T9608</b>
Cut Tape	

# Embraer Legacy 600

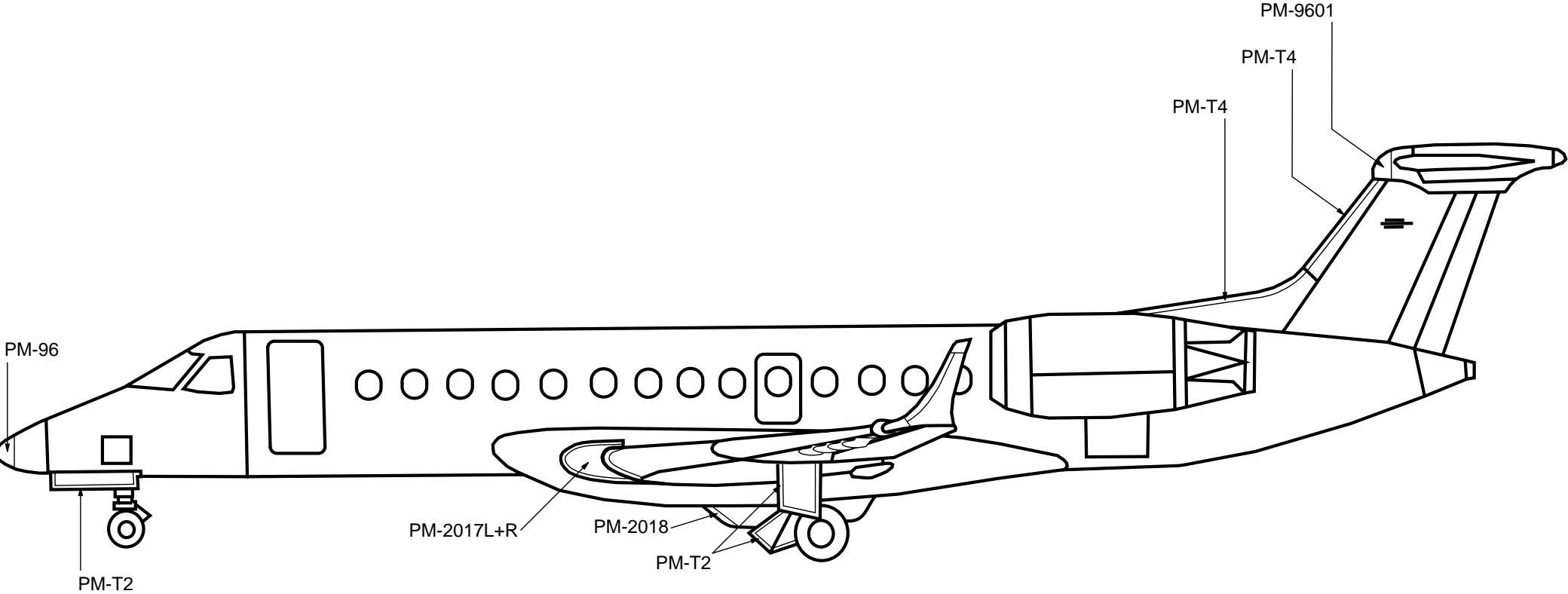


NOTE: All Pre-Formed Protective Masks (Boots) should be installed prior to installing tape.

NOTE: Tape is intended to augment the use of our Pre-Formed Protective Masks (Boots).

Cut tape to fit as necessary.

# Embraer Legacy 600

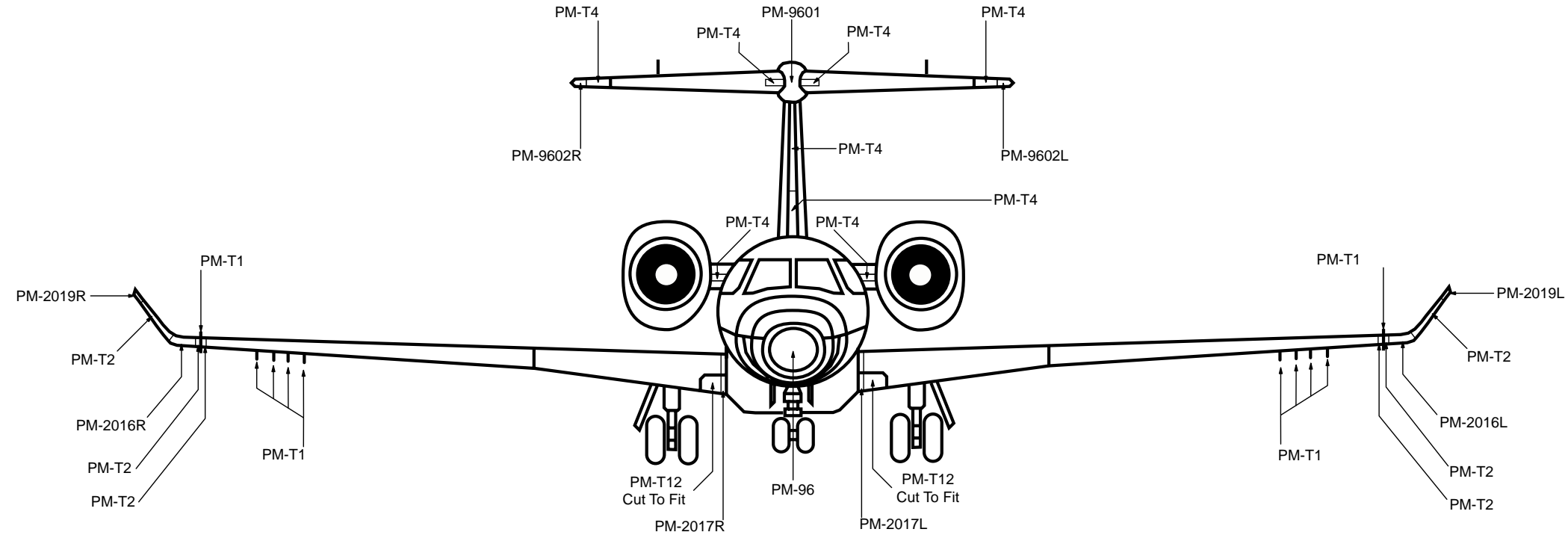


NOTE: All Pre-Formed Protective Masks (Boots) should be installed prior to installing tape.

NOTE: Tape is intended to augment the use of our Pre-Formed Protective Masks (Boots).

Cut tape to fit as necessary.

# Embraer Legacy 600



NOTE: All Pre-Formed Protective Masks (Boots) should be installed prior to installing tape.

NOTE: Tape is intended to augment the use of our Pre-Formed Protective Masks (Boots).

Cut tape to fit as necessary.



**SIMPLY THE BEST**

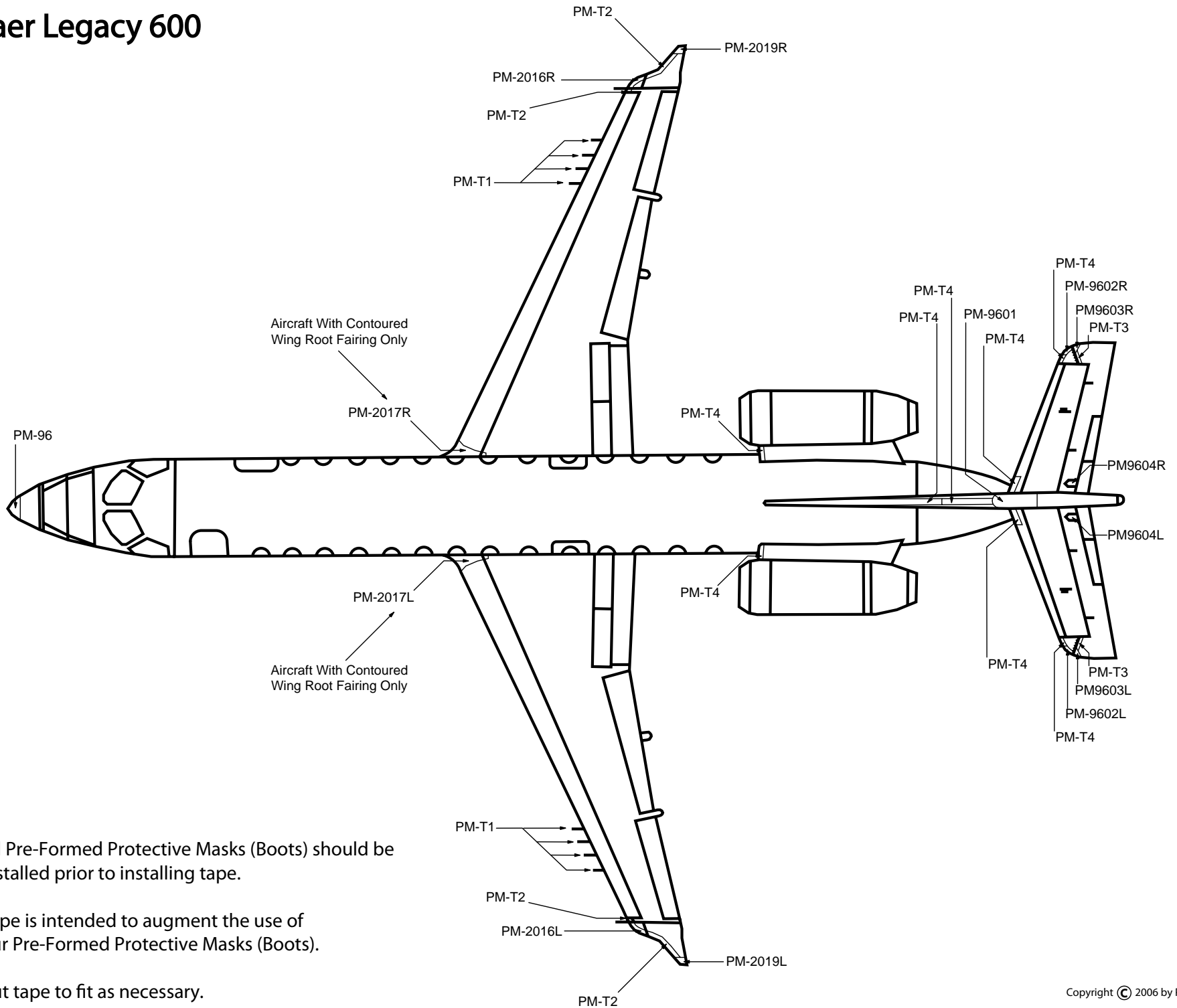
4110 Niles Hill Road  
 Wellsville, NY 14895  
 Phone (585) 593-3169  
 FAX (585) 593-5637  
 Web Address: [www.papa-mike.com](http://www.papa-mike.com)  
 E-mail: [pmboots@papa-mike.com](mailto:pmboots@papa-mike.com)

## Erosion Protection Kit for the Embraer ERJ-135 / Legacy 600 Without Contoured Wingroots

### PM-K600L-2

PRODUCT	PRODUCT ID
Radome Boot	PM-96
Navigation Light Lens Mask Set L&R	PM-2016
Lower Fuselage Drain Duct Fairing Mask	PM-2018
Winglet Tip Mask Set L&R	PM-2019
Vertical Stabilizer Tip Mask	PM-9601
Horizontal Stabilizer Tip Mask Set L&R	PM-9602
Elevator Horn Tip Mask Set L&R	PM-9603
Elev Inbd TrimTab Acuator Fairing Mask Set L&R	PM-9604
Landing Light Tape Kit	PM-T9608
Cut Tape	

# Embraer Legacy 600

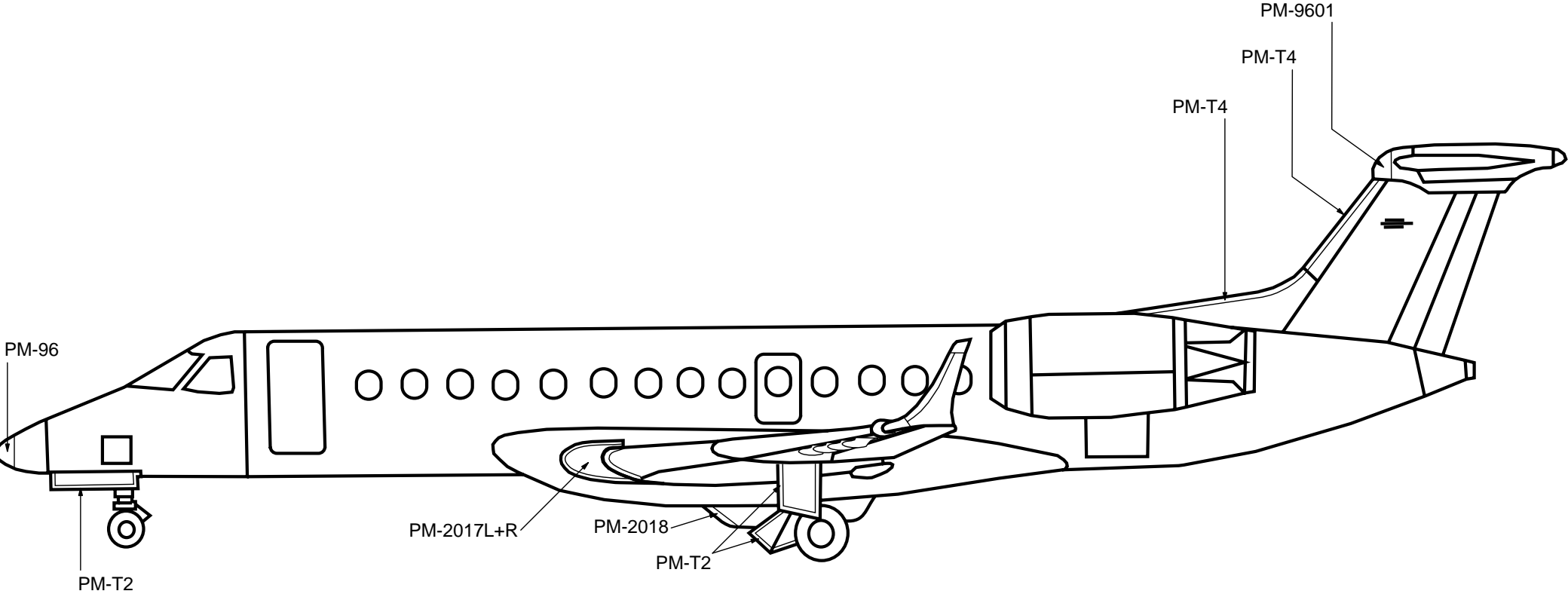


NOTE: All Pre-Formed Protective Masks (Boots) should be installed prior to installing tape.

NOTE: Tape is intended to augment the use of our Pre-Formed Protective Masks (Boots).

Cut tape to fit as necessary.

# Embraer Legacy 600

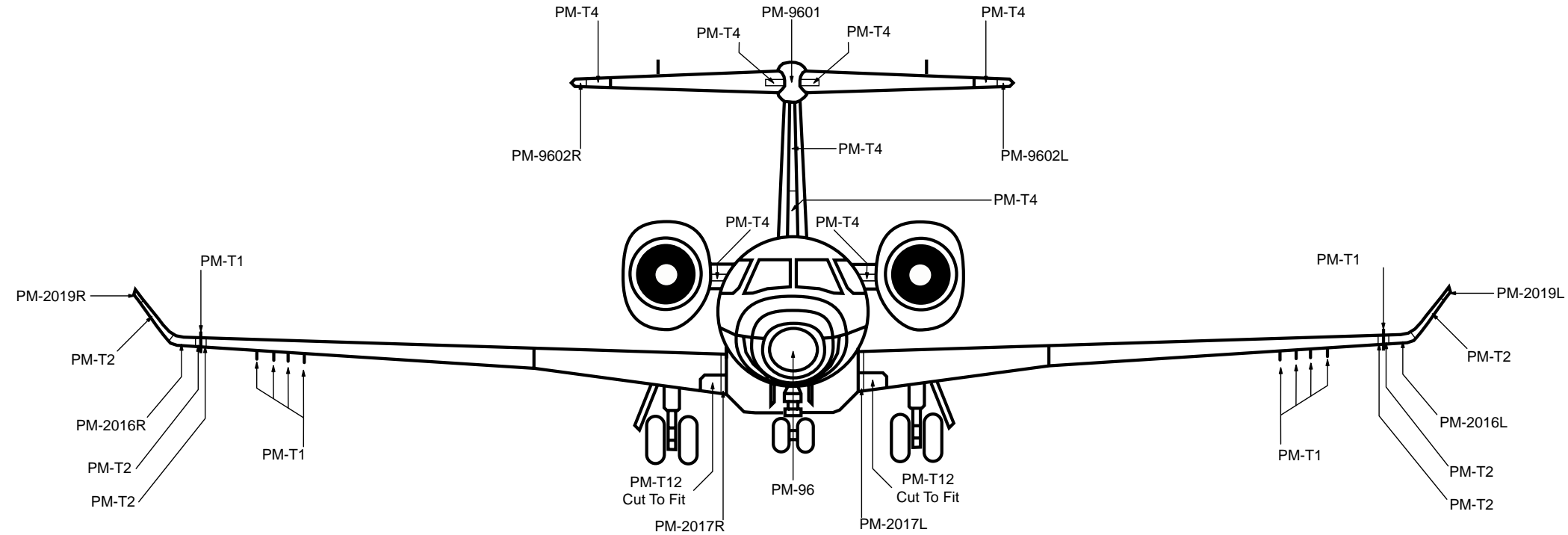


NOTE: All Pre-Formed Protective Masks (Boots) should be installed prior to installing tape.

NOTE: Tape is intended to augment the use of our Pre-Formed Protective Masks (Boots).

Cut tape to fit as necessary.

# Embraer Legacy 600



NOTE: All Pre-Formed Protective Masks (Boots) should be installed prior to installing tape.

NOTE: Tape is intended to augment the use of our Pre-Formed Protective Masks (Boots).

Cut tape to fit as necessary.



**SIMPLY THE BEST**

4110 Niles Hill Road  
Wellsville, NY 14895  
Phone (585) 593-3169  
FAX (585) 593-5637  
Web Address: [www.papa-mike.com](http://www.papa-mike.com)  
E-mail: [pmboots@papa-mike.com](mailto:pmboots@papa-mike.com)

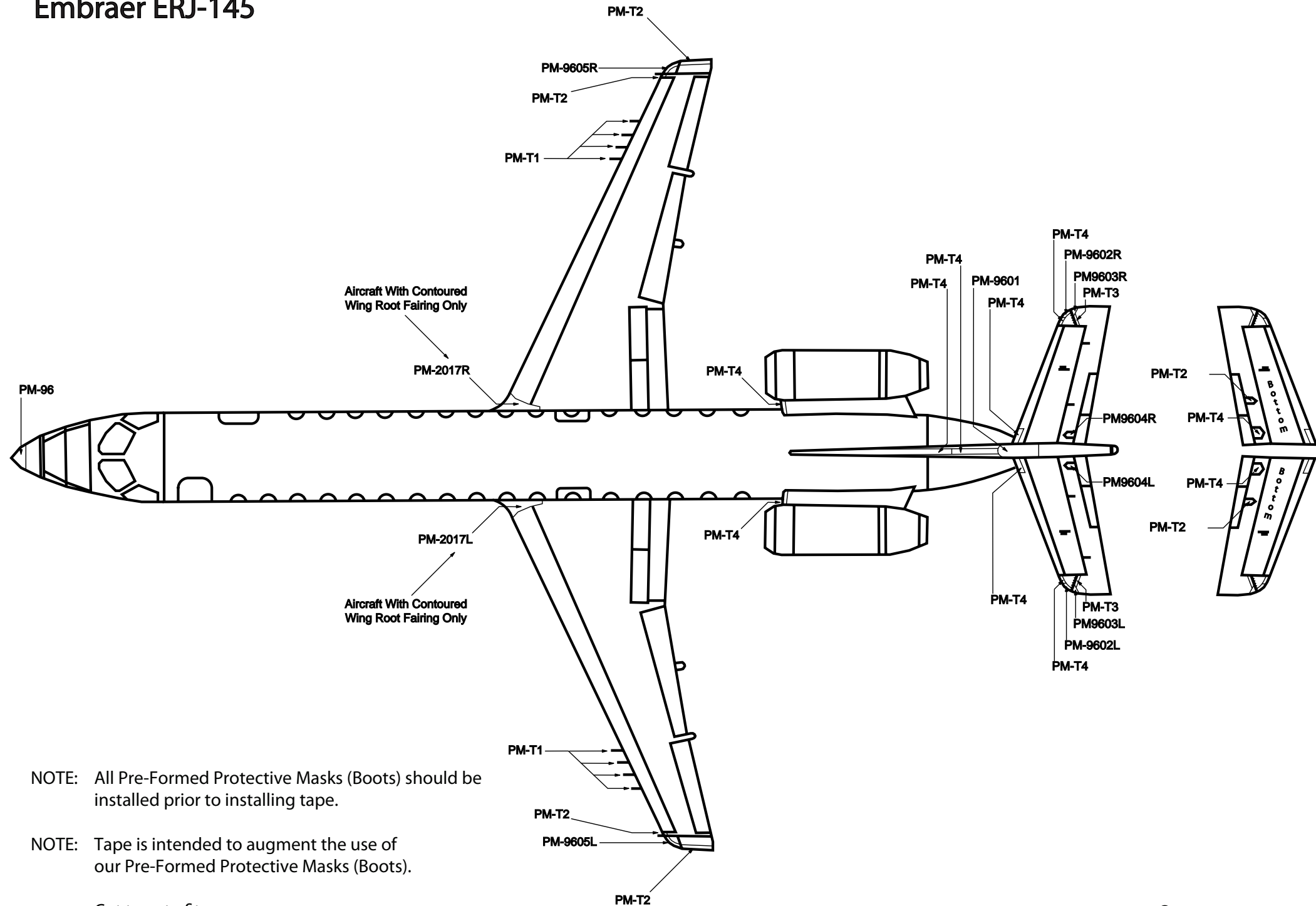
---

## **Erosion Protection Kit for the Embraer ERJ-145 With Contoured Wingroots**

### **PM-KEM45C**

<b>PRODUCT</b>	<b>PRODUCT ID</b>
Radome Boot	<b>PM-96</b>
Vertical Stabilizer Tip Mask	<b>PM-9601</b>
Horizontal Stabilizer Tip Mask Set L&R	<b>PM-9602</b>
Elevator Horn Tips Mask Set L&R	<b>PM-9603</b>
Elev Inbd TrimTab Acuator Fairing Mask Set L&R	<b>PM-9604</b>
Navigation Light Wingtip Lens Mask Set L&R	<b>PM-9605</b>
Wing Root Fairing Mask Set L&R	<b>PM-2017</b>
Landing Light Tape Kit	<b>PM-T9608</b>
Cut Tape	

# Embraer ERJ-145

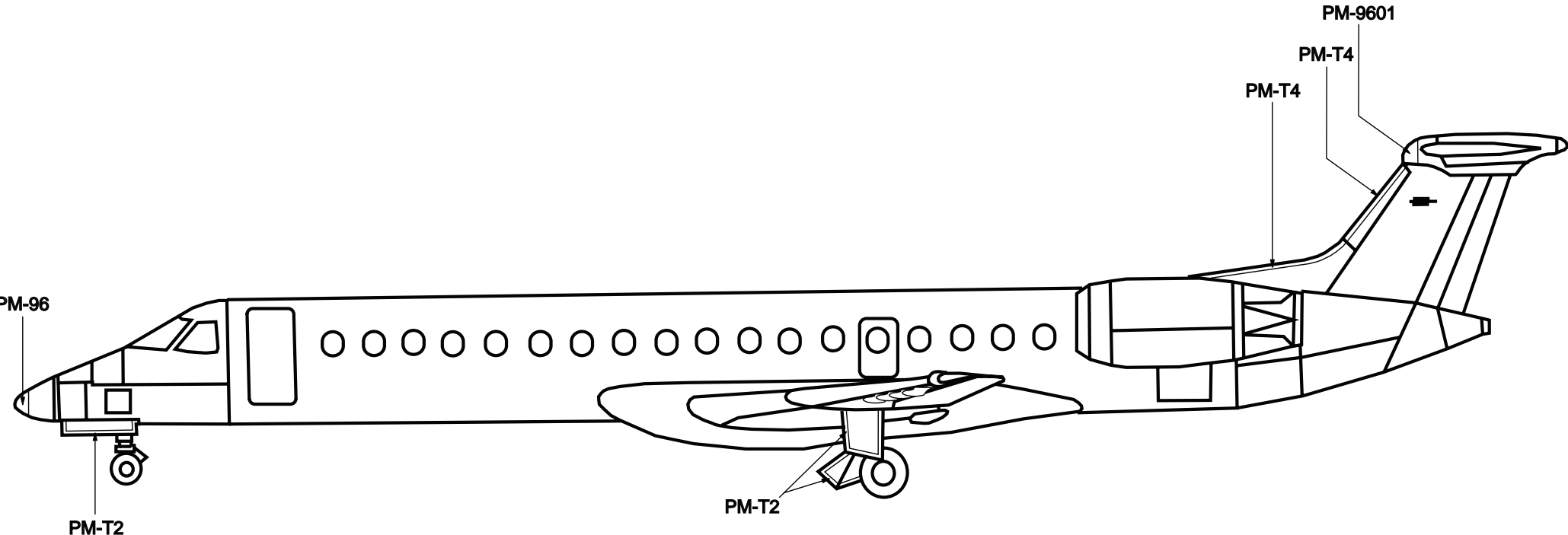


NOTE: All Pre-Formed Protective Masks (Boots) should be installed prior to installing tape.

NOTE: Tape is intended to augment the use of our Pre-Formed Protective Masks (Boots).

Cut tape to fit as necessary.

# Embraer ERJ-145

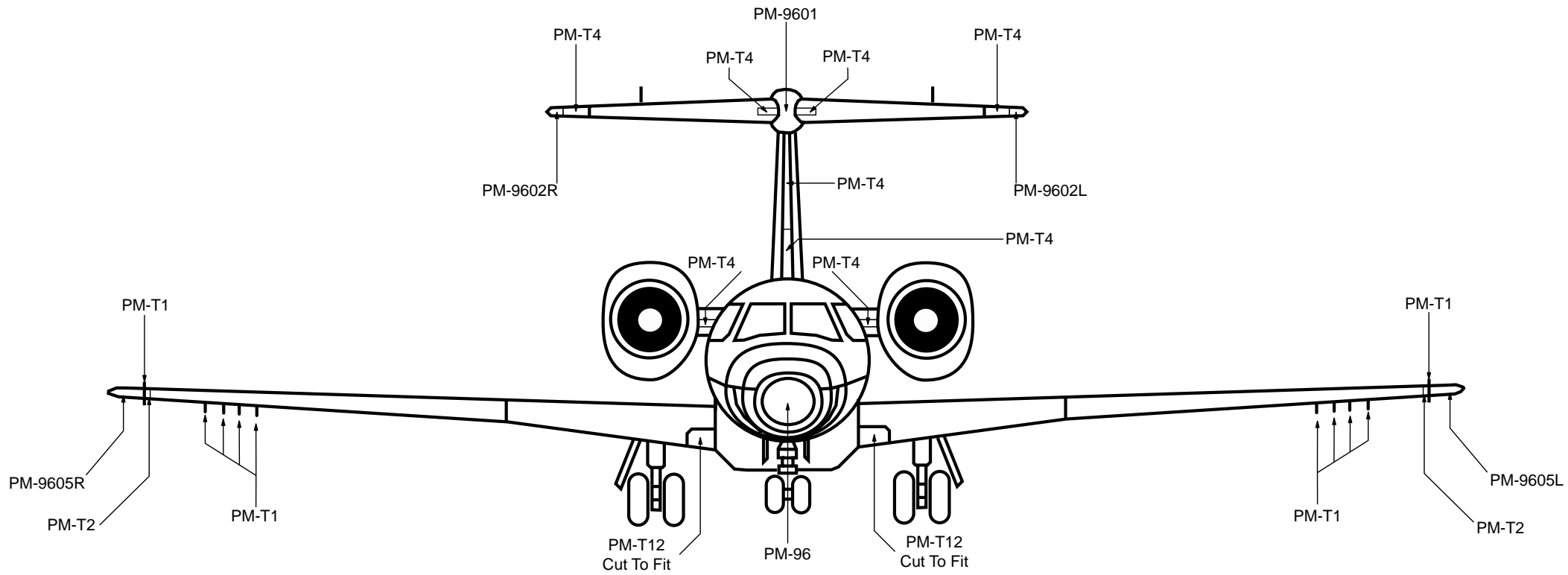


NOTE: All Pre-Formed Protective Masks (Boots) should be installed prior to installing tape.

NOTE: Tape is intended to augment the use of our Pre-Formed Protective Masks (Boots).

Cut tape to fit as necessary.

# Embraer ERJ-145



NOTE: All Pre-Formed Protective Masks (Boots) should be installed prior to installing tape.

NOTE: Tape is intended to augment the use of our Pre-Formed Protective Masks (Boots).

Cut tape to fit as necessary.



**SIMPLY THE BEST**

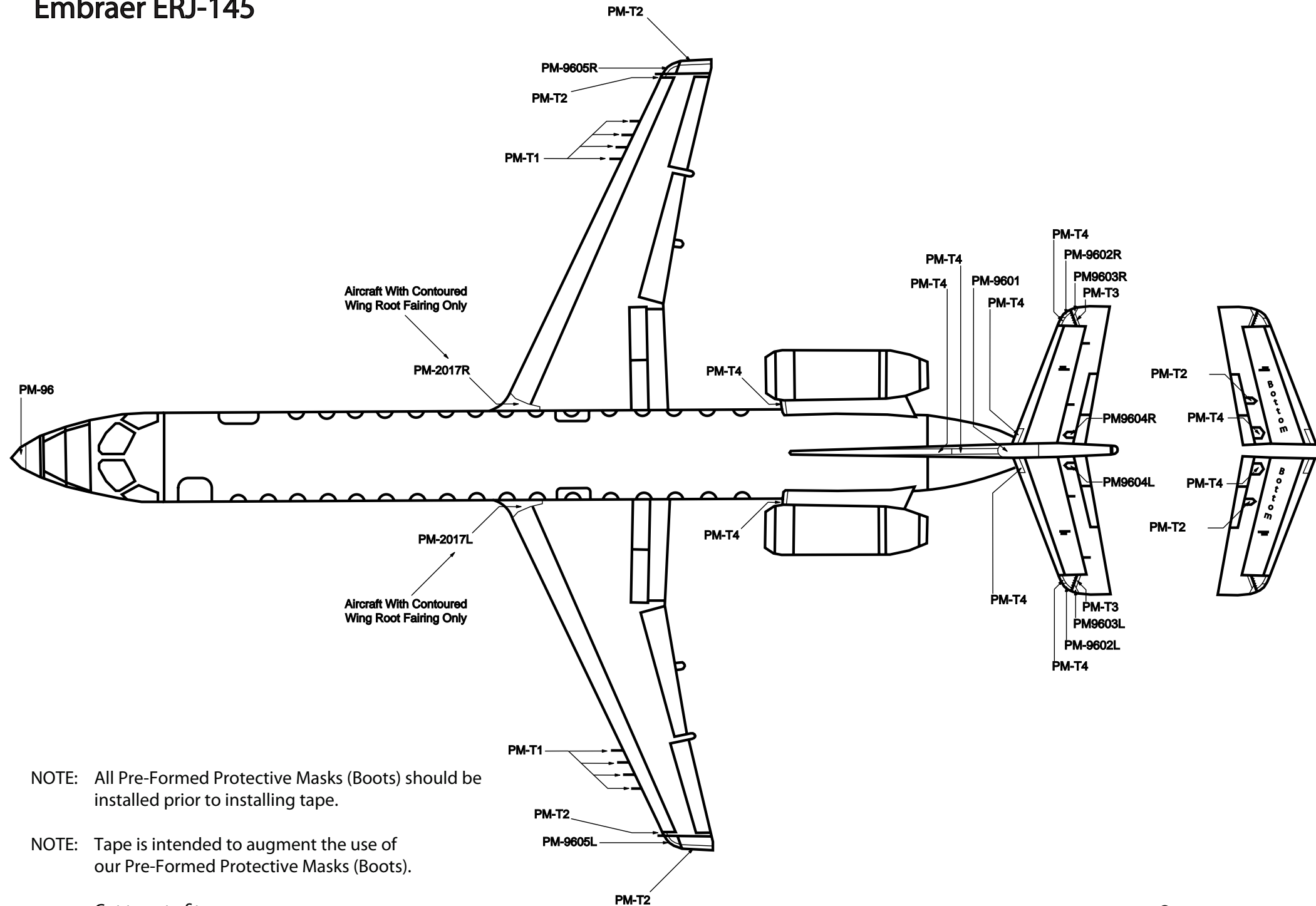
4110 Niles Hill Road  
Wellsville, NY 14895  
Phone (585) 593-3169  
FAX (585) 593-5637  
Web Address: [www.papa-mike.com](http://www.papa-mike.com)  
E-mail: [pmboots@papa-mike.com](mailto:pmboots@papa-mike.com)

## Erosion Protection Kit for the Embraer ERJ-145 Without Contoured Wingroots

### PM-KEM45

PRODUCT	PRODUCT ID
Radome Boot	PM-96
Vertical Stabilizer Tip Mask	PM-9601
Horizontal Stabilizer Tip Mask Set L&R	PM-9602
Elevator Horn Tips Mask Set L&R	PM-9603
Elev Inbd TrimTab Acuator Fairing Mask Set L&R	PM-9604
Navigation Light Wingtip Lens Mask Set L&R	PM-9605
Landing Light Tape Kit	PM-T9608
Cut Tape	

# Embraer ERJ-145

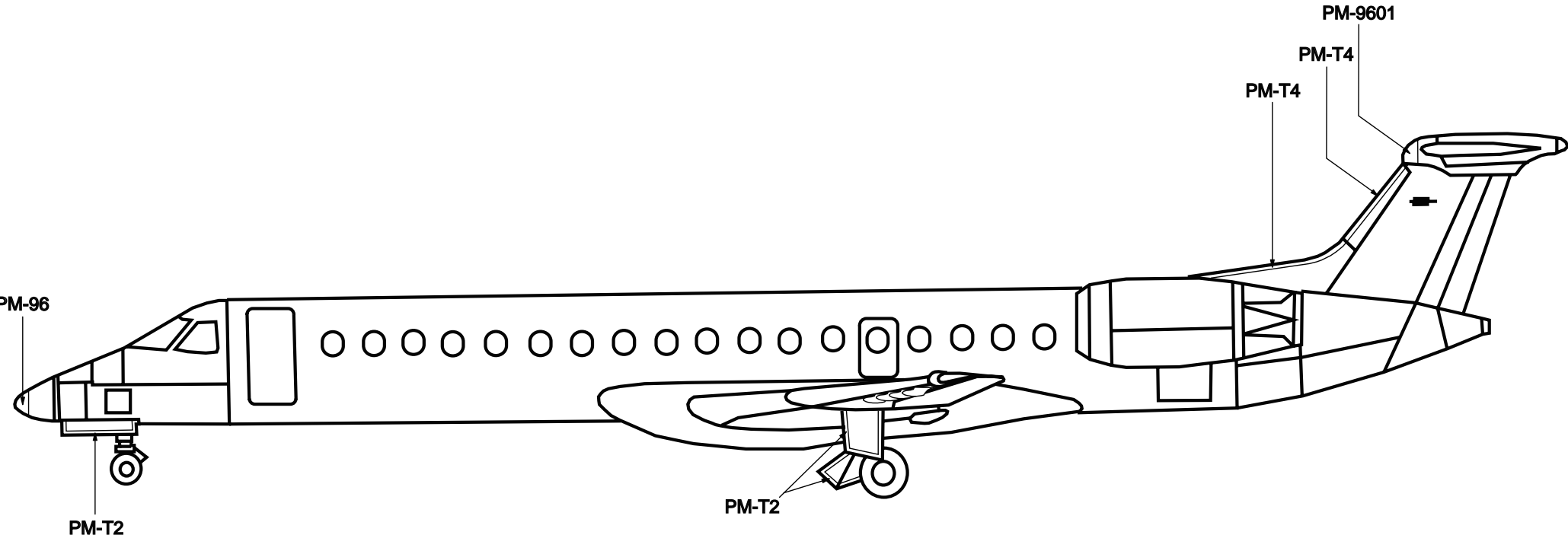


NOTE: All Pre-Formed Protective Masks (Boots) should be installed prior to installing tape.

NOTE: Tape is intended to augment the use of our Pre-Formed Protective Masks (Boots).

Cut tape to fit as necessary.

# Embraer ERJ-145

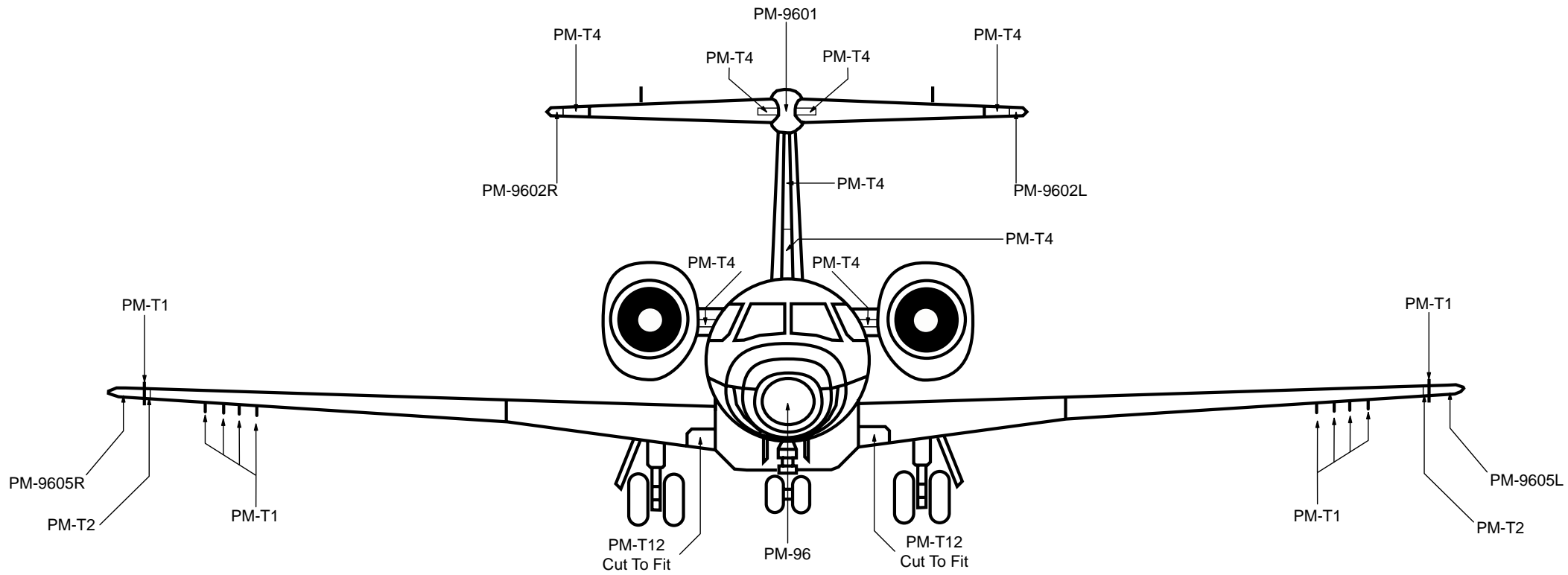


NOTE: All Pre-Formed Protective Masks (Boots) should be installed prior to installing tape.

NOTE: Tape is intended to augment the use of our Pre-Formed Protective Masks (Boots).

Cut tape to fit as necessary.

# Embraer ERJ-145



NOTE: All Pre-Formed Protective Masks (Boots) should be installed prior to installing tape.

NOTE: Tape is intended to augment the use of our Pre-Formed Protective Masks (Boots).

Cut tape to fit as necessary.



**SIMPLY THE BEST**

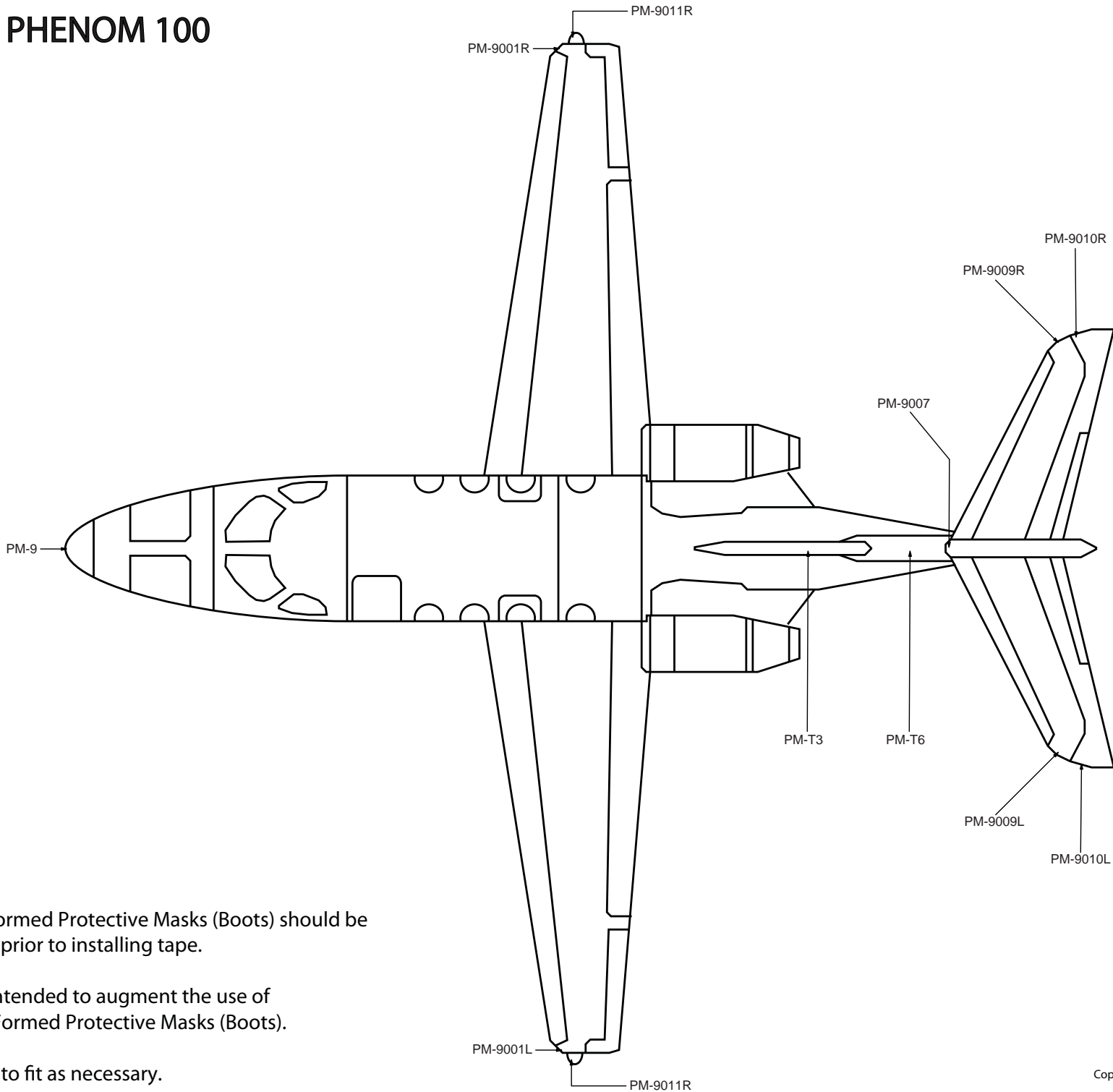
4110 Niles Hill Road  
Wellsville, NY 14895  
Phone (585) 593-3169  
FAX (585) 593-5637  
Web Address: [www.papa-mike.com](http://www.papa-mike.com)  
E-mail: [pmboots@papa-mike.com](mailto:pmboots@papa-mike.com)

## Erosion Protection Kit for the Embraer Phenon 100

### PM-KPH100

PRODUCT	PRODUCT ID
Radome Boot	PM-9
Full Coverage Wing Tip Mask Set L&R	PM-9001
Wing Root Fairing Mask Left	PM-9002L
Wing Root Fairing Mask Right	PM-9002R
Outboard Flap Track Fairing Mask Set L&R	PM-9003
Indoard Flap Track Fairing Mask Set L&R	PM-9004
Main Landing Gear Door Fairing Mask Set L&R	PM-9005
Engine Pylon Fairing Mask Set L&R	PM-9006
Vertical Stabilizer Tip Mask	PM-9007
Elev Inbd TrimTab Acuator Fairing Mask Set L&R	PM-9008
Horizontal Stabilizer Tip Mask Set L&R	PM-9009
Elevator Horn Tip Mask Set L&R	PM-9010
Navigation Light Lens Mask Set L&R	PM-9011
Cut Tape	

# EMBRAER PHENOM 100

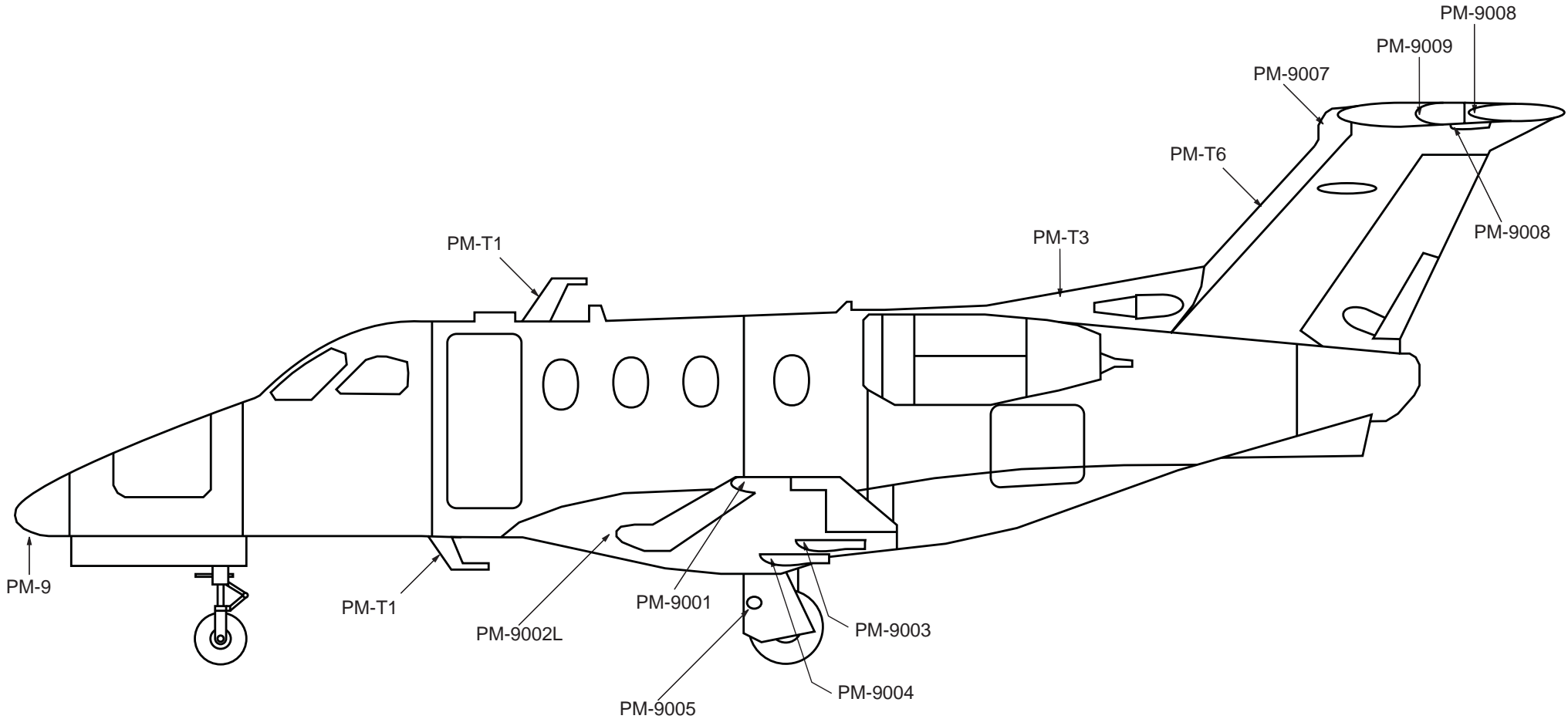


NOTE: All Pre-Formed Protective Masks (Boots) should be installed prior to installing tape.

NOTE: Tape is intended to augment the use of our Pre-Formed Protective Masks (Boots).

Cut tape to fit as necessary.

# EMBRAER PHENOM 100

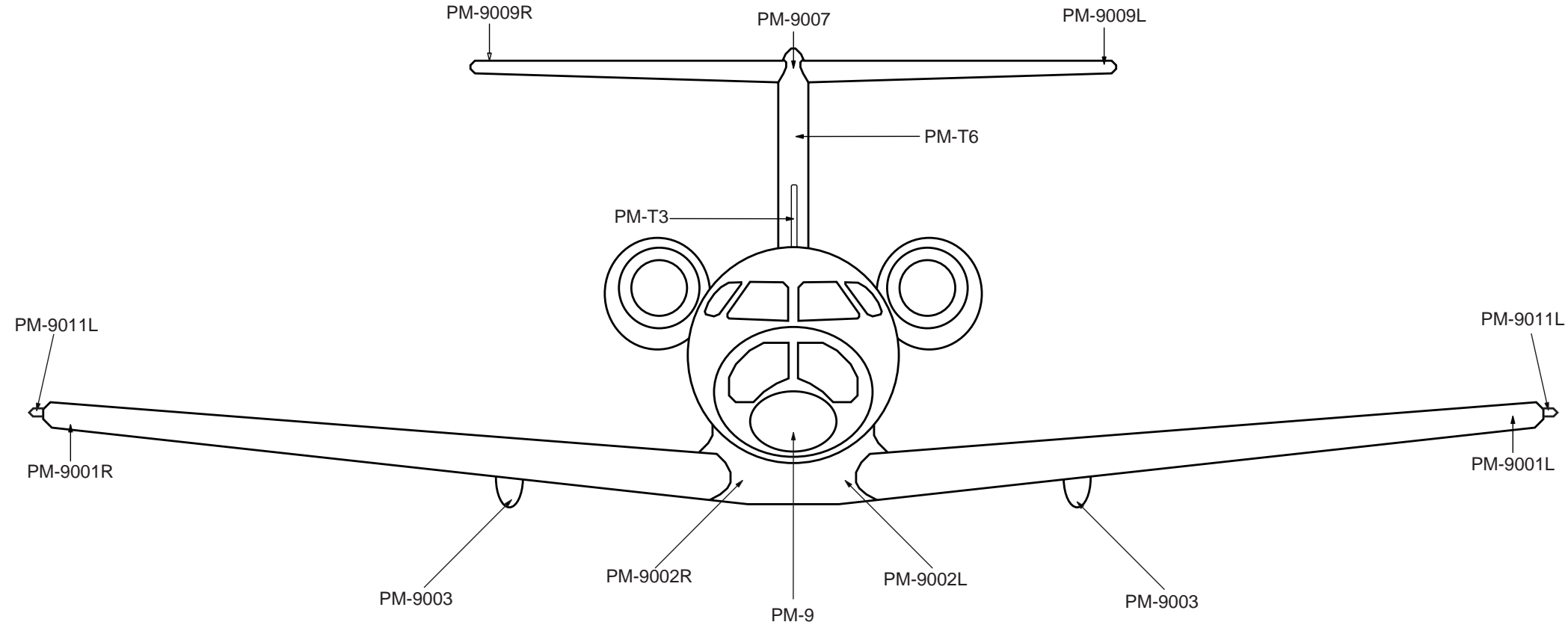


NOTE: All Pre-Formed Protective Masks (Boots) should be installed prior to installing tape.

NOTE: Tape is intended to augment the use of our Pre-Formed Protective Masks (Boots).

Cut tape to fit as necessary.

# EMBRAER PHENOM 100



NOTE: All Pre-Formed Protective Masks (Boots) should be installed prior to installing tape.

NOTE: Tape is intended to augment the use of our Pre-Formed Protective Masks (Boots).

Cut tape to fit as necessary.



**SIMPLY THE BEST**

4110 Niles Hill Road  
Wellsville, NY 14895  
Phone (585) 593-3169  
FAX (585) 593-5637  
Web Address: [www.papa-mike.com](http://www.papa-mike.com)  
E-mail: [pmboots@papa-mike.com](mailto:pmboots@papa-mike.com)

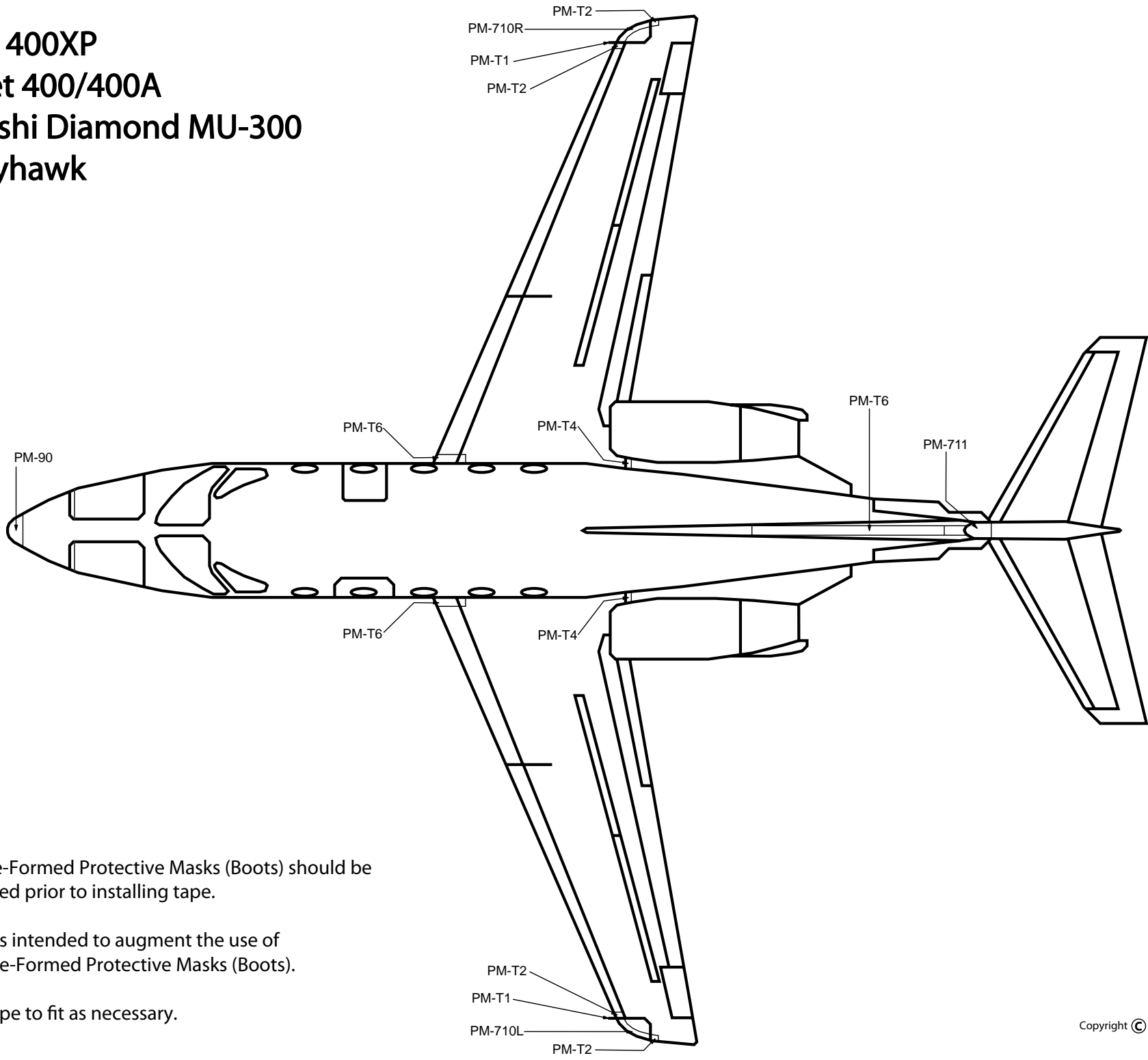
---

## **Erosion Protection Products for the Hawker 400XP, Hawker 400/400A, Mitsubishi Diamond MU-300, T-1A Jayhawk**

### **PM-KH4XP**

<b>PRODUCT</b>	<b>PRODUCT ID</b>
Radome Boot	<b>PM-90</b>
Navigation Light Lens Mask Set L&R	<b>PM-710 L&amp;R</b>
Vertical Stabilizer Tail Tip Mask	<b>PM-711</b>
Cut Tape	

Hawker 400XP  
 Beechjet 400/400A  
 Mitsubishi Diamond MU-300  
 T-1A Jayhawk

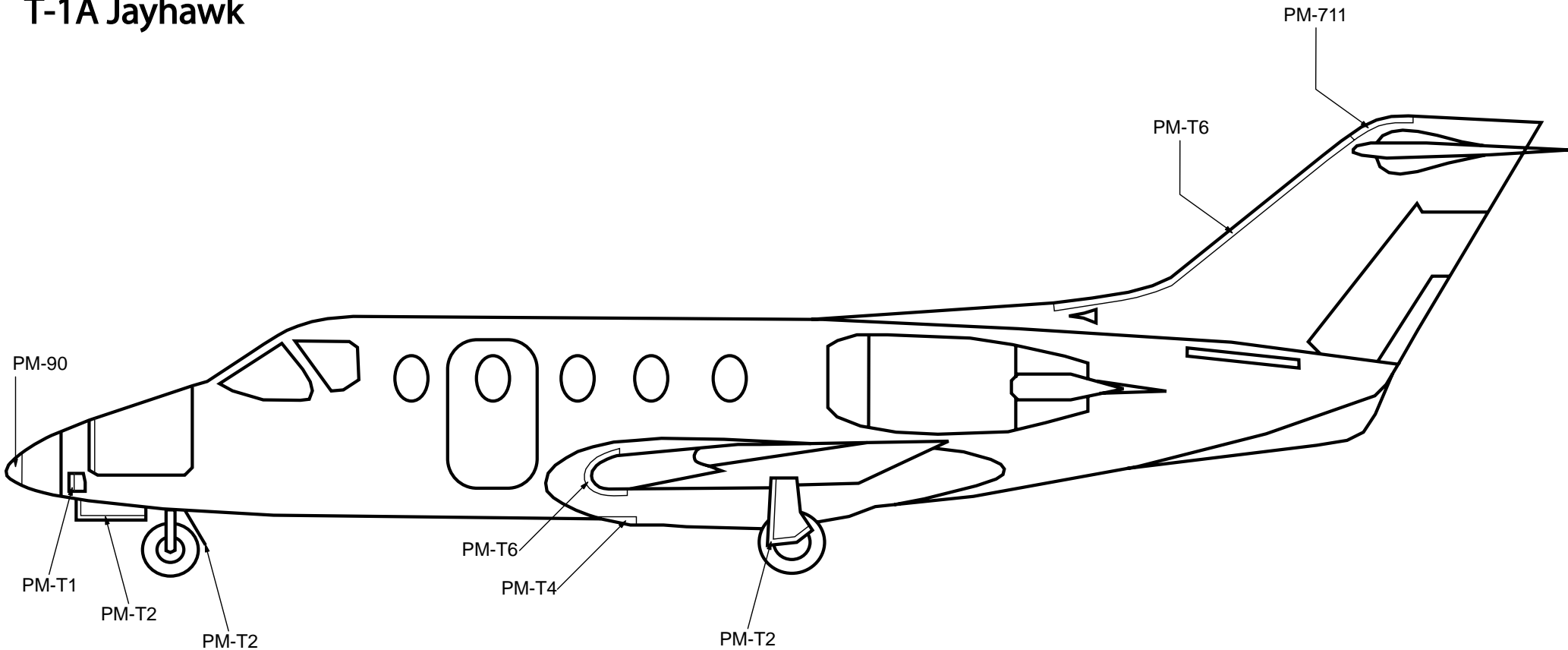


NOTE: All Pre-Formed Protective Masks (Boots) should be installed prior to installing tape.

NOTE: Tape is intended to augment the use of our Pre-Formed Protective Masks (Boots).

Cut tape to fit as necessary.

Hawker 400XP  
Beechjet 400/400A  
Mitsubishi Diamond MU-300  
T-1A Jayhawk

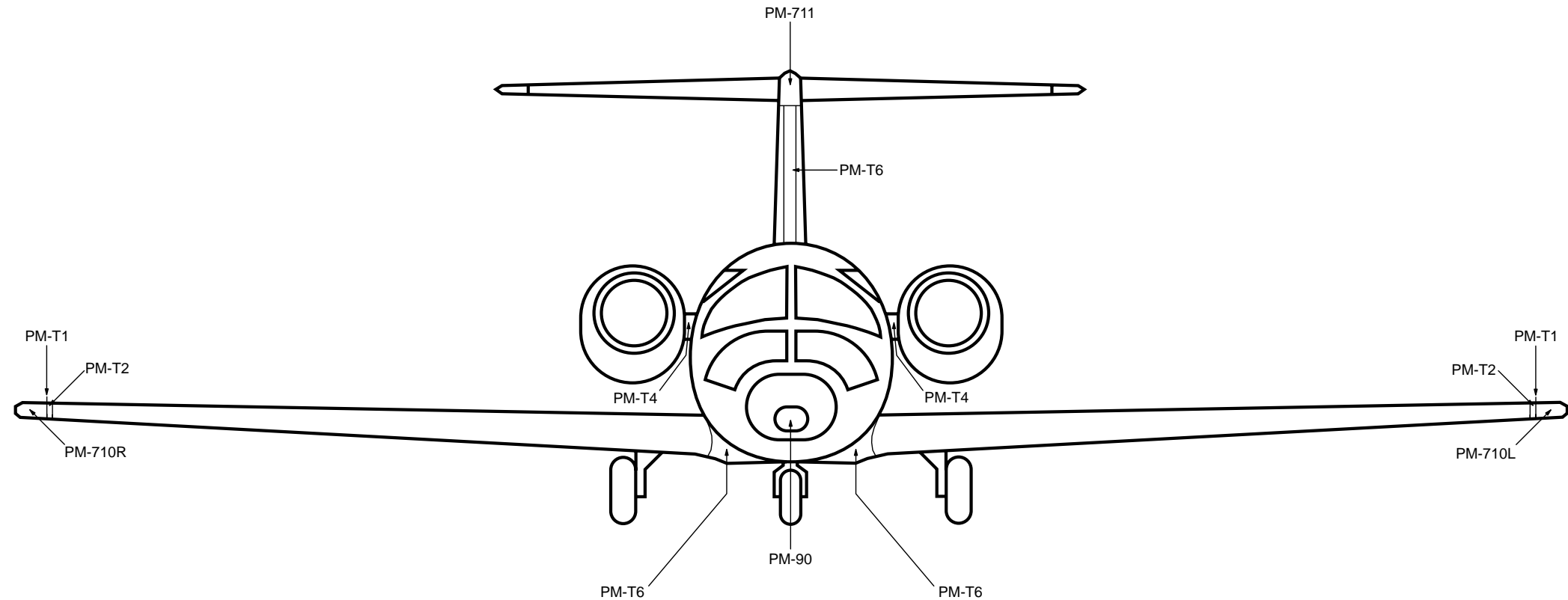


NOTE: All Pre-Formed Protective Masks (Boots) should be installed prior to installing tape.

NOTE: Tape is intended to augment the use of our Pre-Formed Protective Masks (Boots).

Cut tape to fit as necessary.

Hawker 400XP  
Beechjet 400/400A  
Mitsubishi Diamond MU-300  
T-1A Jayhawk



NOTE: All Pre-Formed Protective Masks (Boots) should be installed prior to installing tape.

NOTE: Tape is intended to augment the use of our Pre-Formed Protective Masks (Boots).

Cut tape to fit as necessary.



**SIMPLY THE BEST**

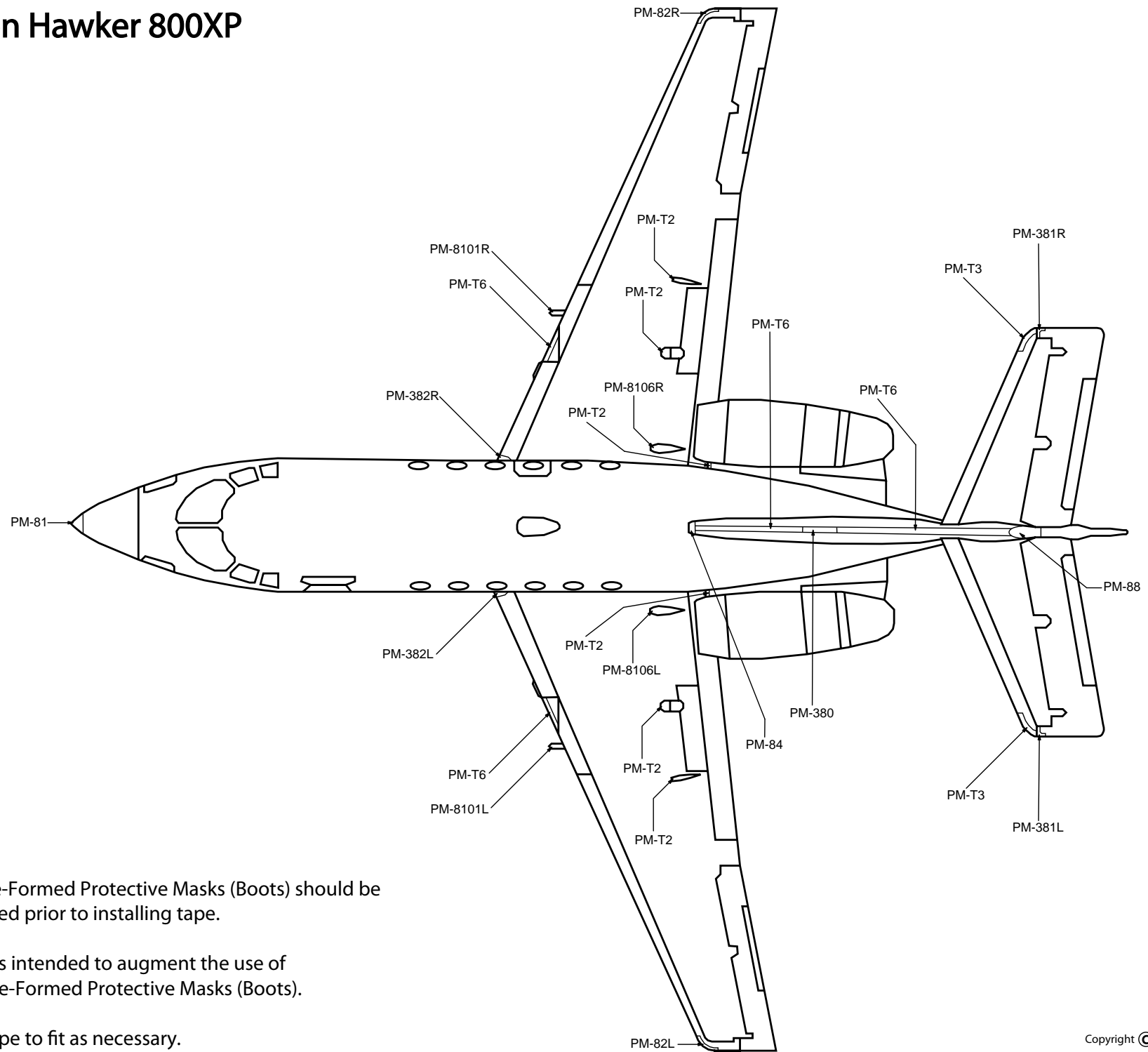
4110 Niles Hill Road  
Wellsville, NY 14895  
Phone (585) 593-3169  
FAX (585) 593-5637  
Web Address: [www.papa-n](http://www.papa-n)  
E-mail: [pmboots@papa-mil](mailto:pmboots@papa-mil)

## Erosion Protection Kit for the Hawker 800A

### PM-KH800

PRODUCT	PRODUCT ID
Radome Boot	PM-81
Navigation Light Lens Mask Set L&R	PM-82
Ram Air Intake Mask	PM-84
Generator Inlet Mask Set L&R	PM-86
Vertical Stabilizer Tip Mask	PM-88
Keel Mask	PM-89
Dorsal Fin Mask	PM-380
Elevator Tip Mask Set L&R	PM-381
Wing Root Fairing Mask Set L&R	PM-382
Inboard Flaptrack Fairing Mask Set Fwd L&R	PM-8102
Inboard Flaptrack Fairing Mask Set Aft L	PM-8103
Outboard Flaptrack Fairing Mask Set Fwd L&R	PM-8104
Outboard Flaptrack Fairing Mask Set Aft L&R	PM-8105
Inboard Wing Blister Panel Mask Set L&R	PM-8106
Horizontal Stabilizer Tip Mask Set L&R	PM-8109
Inboard Flap Hinge Mask Set L&R	PM-8111
Outboard Flap Hinge Mask Set L&R	PM-8112
Ice Inspection Light Lens Tape Kit L&R	PM-T8108
Taxi Light Lens Tape Kit L&R	PM-T8107
Cut Tape	

# Raytheon Hawker 800XP

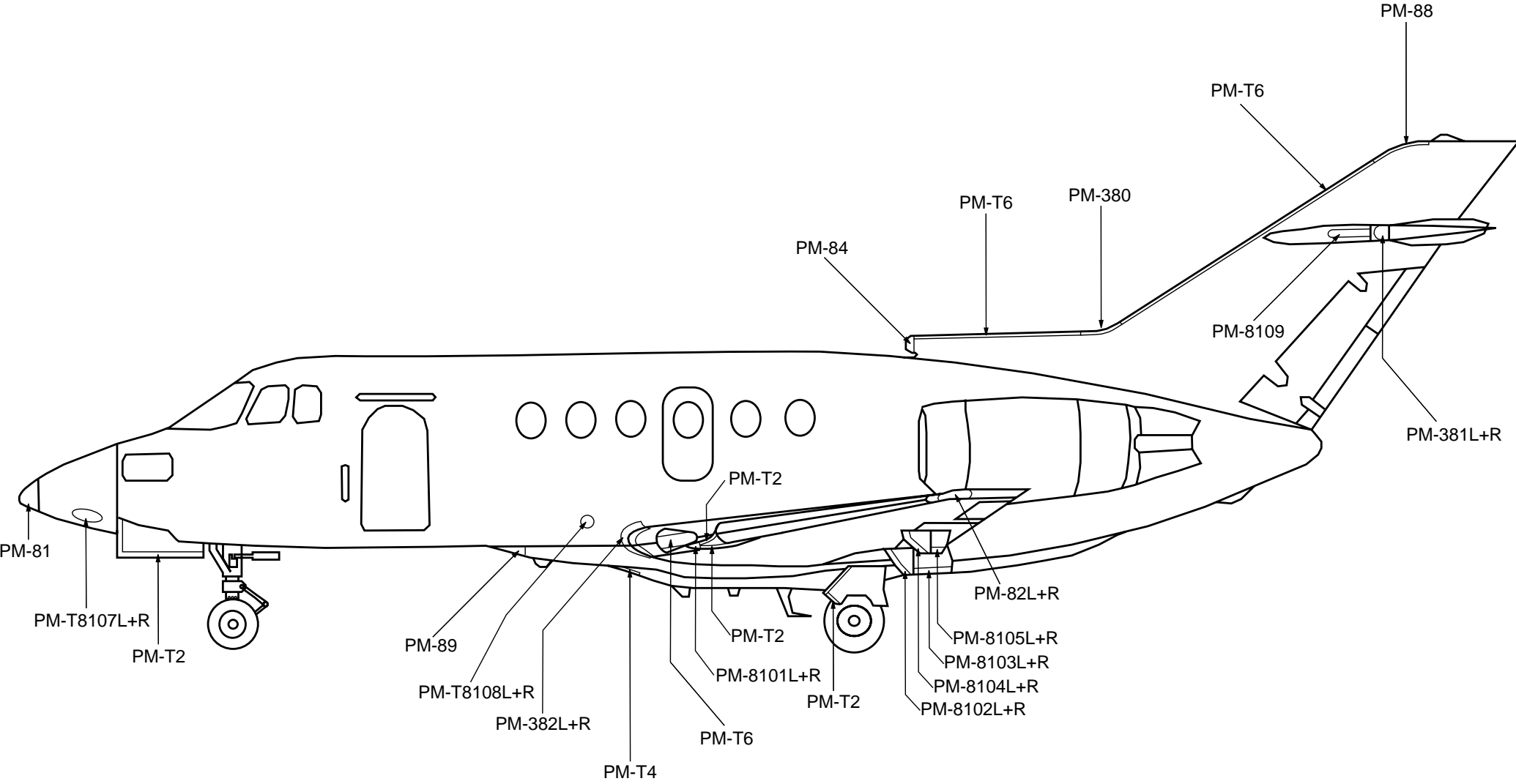


NOTE: All Pre-Formed Protective Masks (Boots) should be installed prior to installing tape.

NOTE: Tape is intended to augment the use of our Pre-Formed Protective Masks (Boots).

Cut tape to fit as necessary.

# Raytheon Hawker 800XP

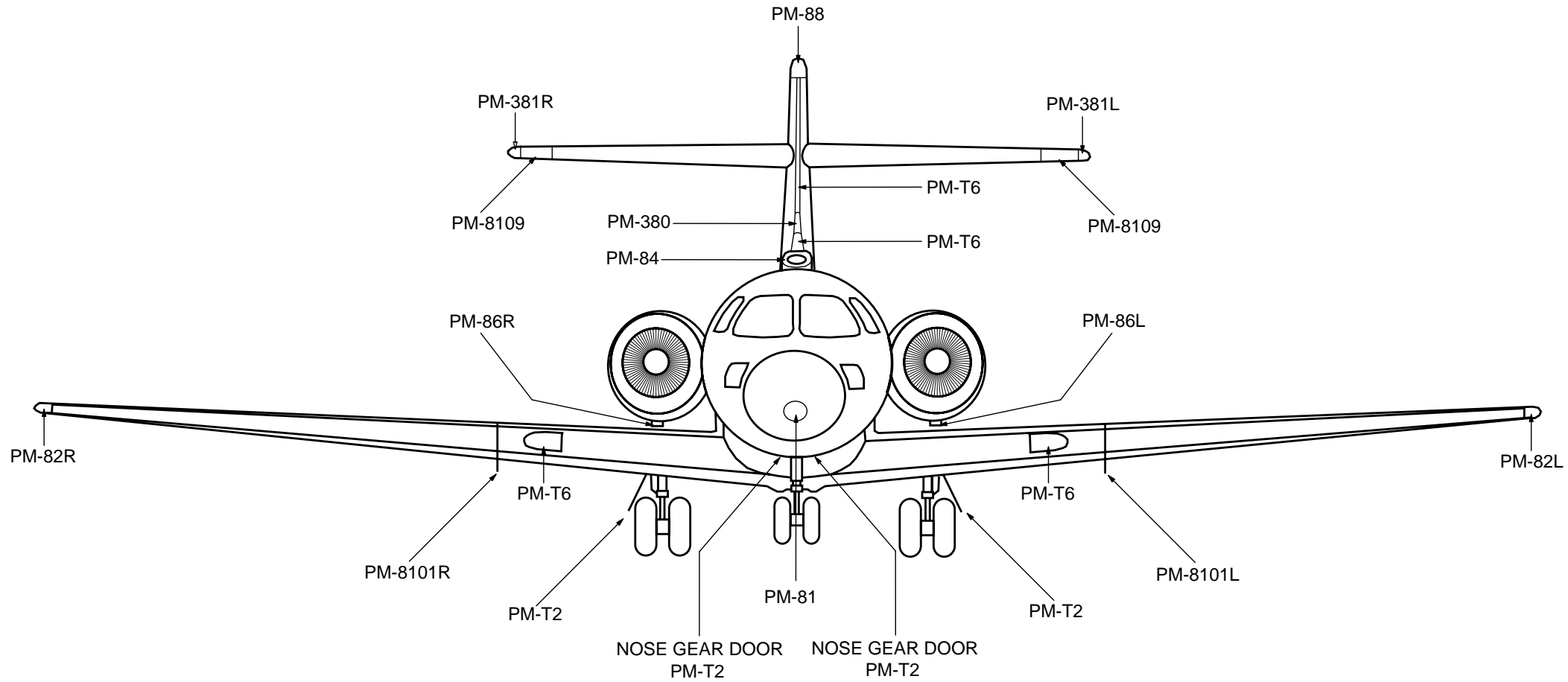


**NOTE:** All Pre-Formed Protective Masks (Boots) should be installed prior to installing tape.

**NOTE:** Tape is intended to augment the use of our Pre-Formed Protective Masks (Boots).

Cut tape to fit as necessary.

# Raytheon Hawker 800XP



NOTE: All Pre-Formed Protective Masks (Boots) should be installed prior to installing tape.

NOTE: Tape is intended to augment the use of our Pre-Formed Protective Masks (Boots).

Cut tape to fit as necessary.



**SIMPLY THE BEST**

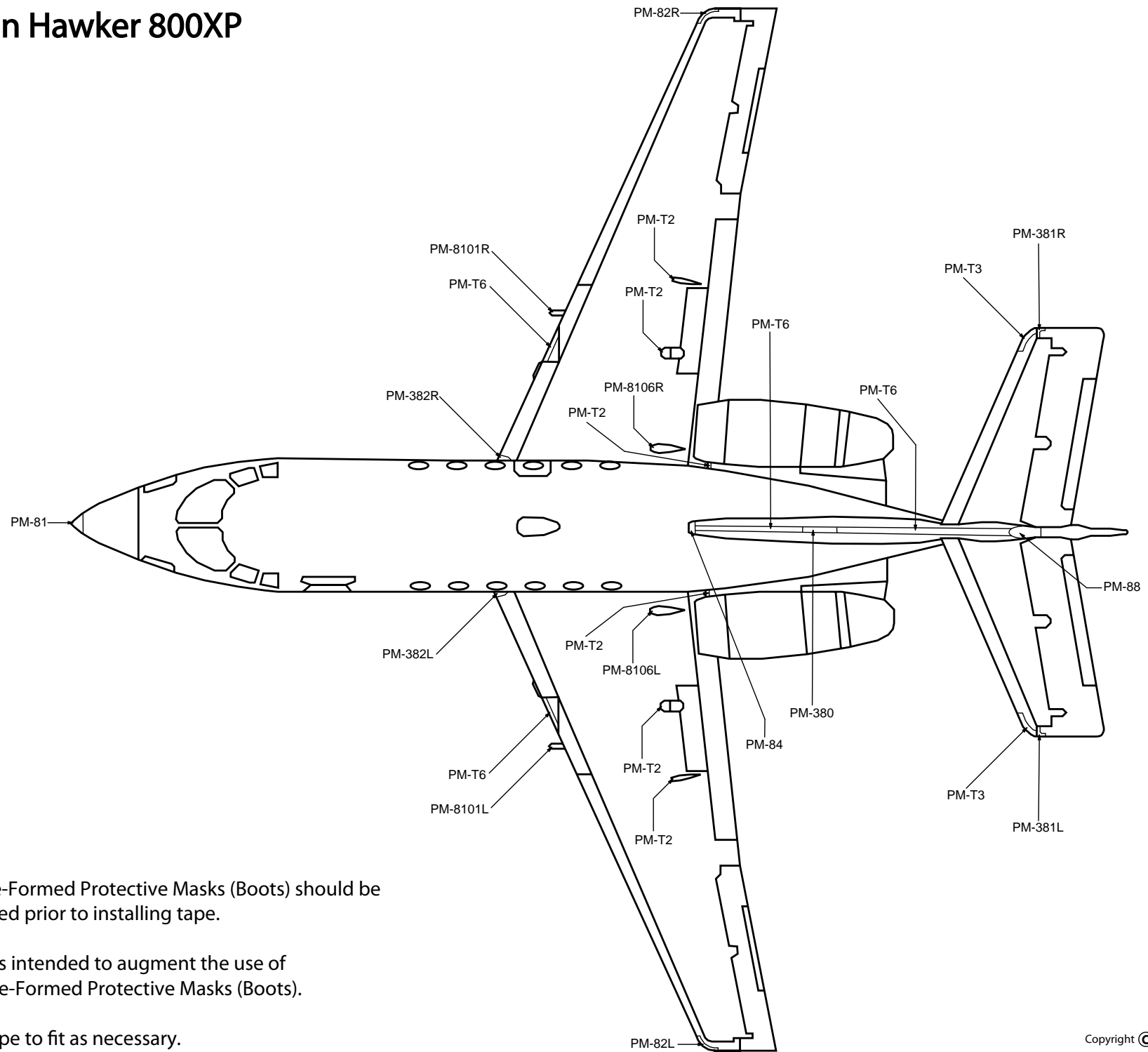
4110 Niles Hill Road  
 Wellsville, NY 14895  
 Phone (585) 593-3169  
 FAX (585) 593-5637  
 Web Address: [www.papa-mike.com](http://www.papa-mike.com)  
 E-mail: [pmboots@papa-mike.com](mailto:pmboots@papa-mike.com)

## Erosion Protection Kit for the Hawker 800XP

### PM-KH8XP

PRODUCT	PRODUCT ID
Radome Boot	PM-81
Navigation Light Lens Mask Set L&R	PM-82
Ram Air Intake Mask	PM-84
Generator Inlet Mask Set L&R	PM-86
Vertical Stabilizer Tip Mask	PM-88
Keel Mask	PM-89
Dorsal Fin Mask	PM-380
Elevator Tip Mask Set L&R	PM-381
Wing Root Fairing Mask Set L&R	PM-382
Vortilon Mask Set L&R	PM-8101
Inboard Flaptrack Fairing Mask Set Fwd L&R	PM-8102
Inboard Flaptrack Fairing Mask Set Aft L&R	PM-8103
Outboard Flaptrack Fairing Mask Set Fwd L&R	PM-8104
Outboard Flaptrack Fairing Mask Set Aft L&R	PM-8105
Inboard Wing Blister Panel Mask Set L&R	PM-8106
Horizontal Stabilizer Tip Mask Set L&R	PM-8109
Inboard Flap Hinge Mask Set L&R	PM-8111
Outboard Flap Hinge Mask Set L&R	PM-8112
Ice Inspection Light Lens Tape Kit L&R	PM-T8108
Taxi Light Lens Tape Kit L&R	PM-T8107
Cut Tape	

# Raytheon Hawker 800XP

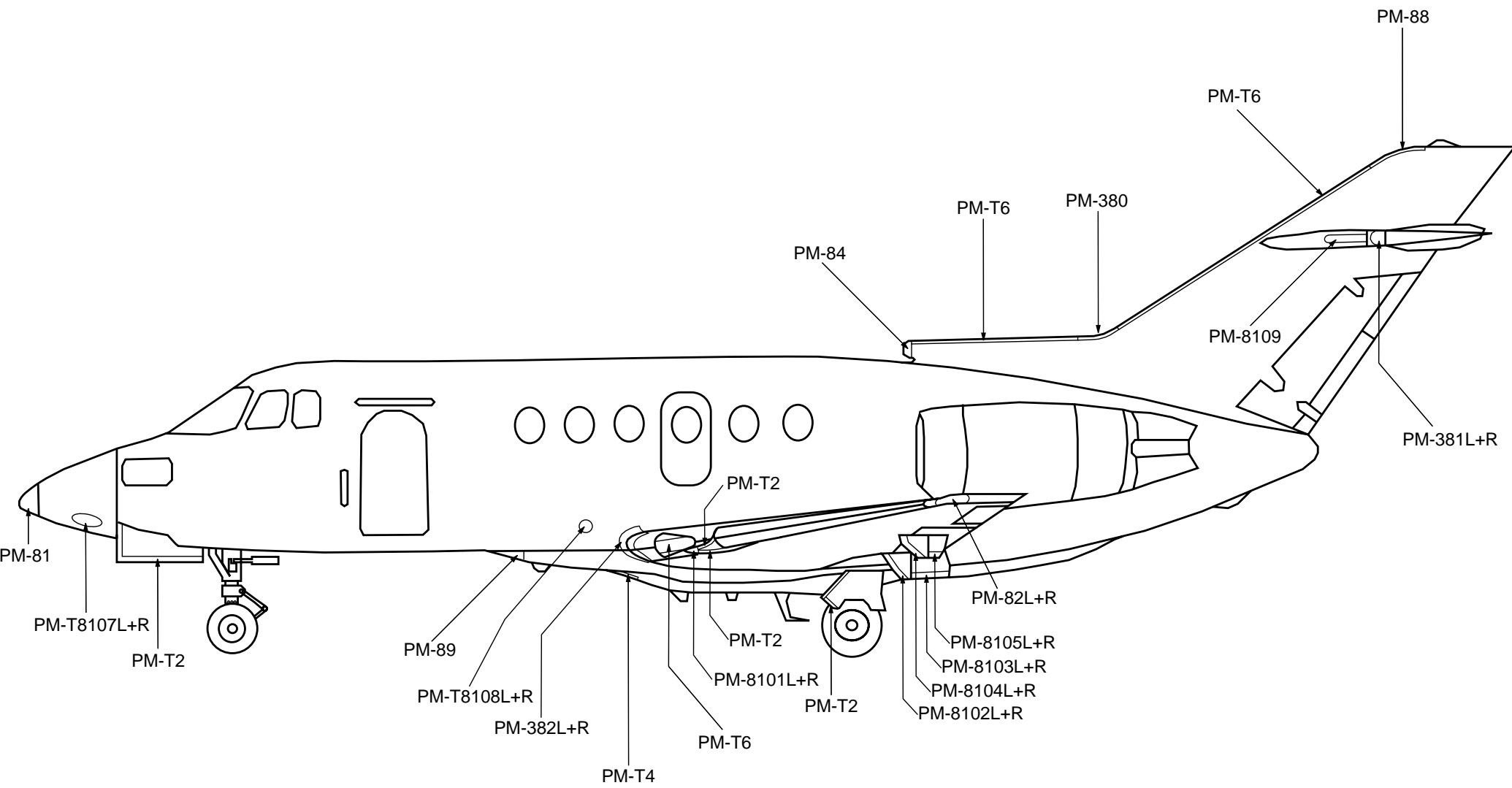


NOTE: All Pre-Formed Protective Masks (Boots) should be installed prior to installing tape.

NOTE: Tape is intended to augment the use of our Pre-Formed Protective Masks (Boots).

Cut tape to fit as necessary.

# Raytheon Hawker 800XP

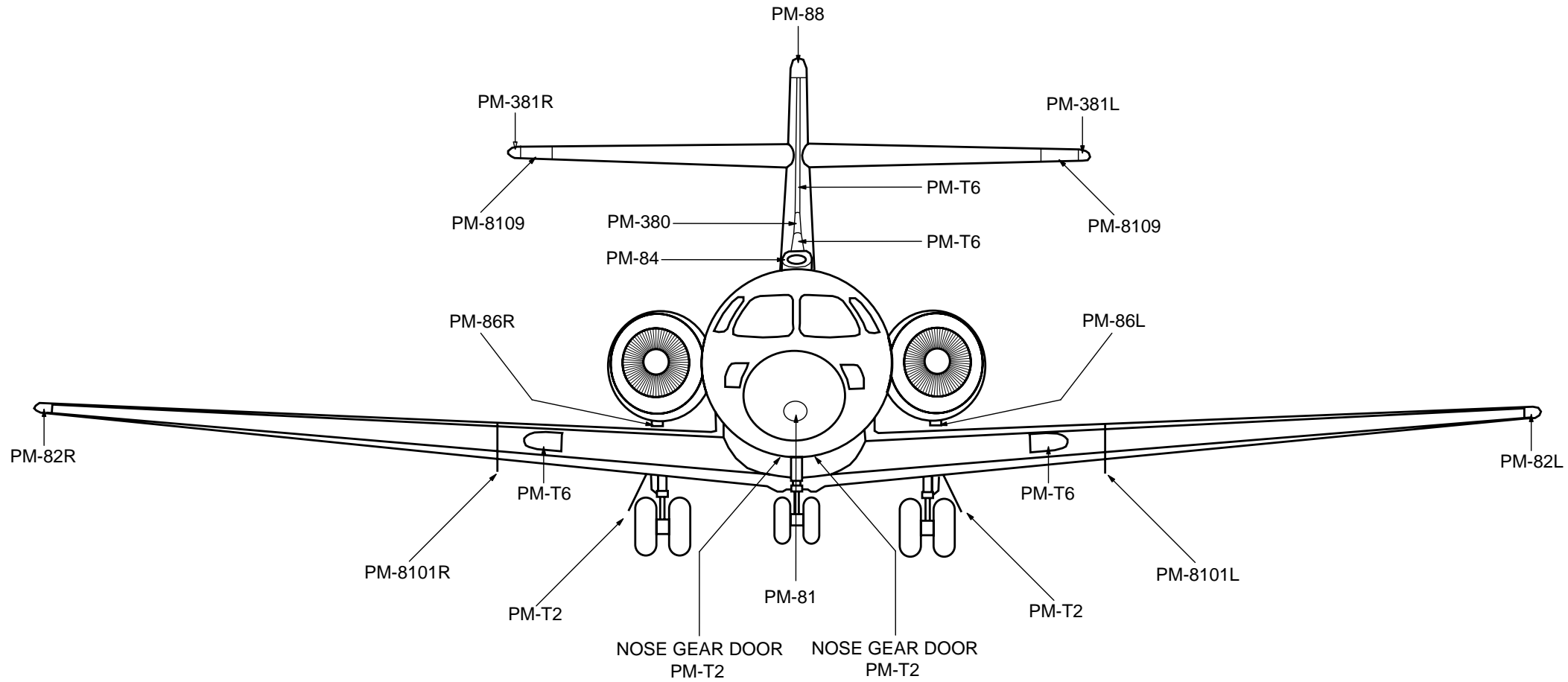


NOTE: All Pre-Formed Protective Masks (Boots) should be installed prior to installing tape.

NOTE: Tape is intended to augment the use of our Pre-Formed Protective Masks (Boots).

Cut tape to fit as necessary.

# Raytheon Hawker 800XP



NOTE: All Pre-Formed Protective Masks (Boots) should be installed prior to installing tape.

NOTE: Tape is intended to augment the use of our Pre-Formed Protective Masks (Boots).

Cut tape to fit as necessary.



**SIMPLY THE BEST**

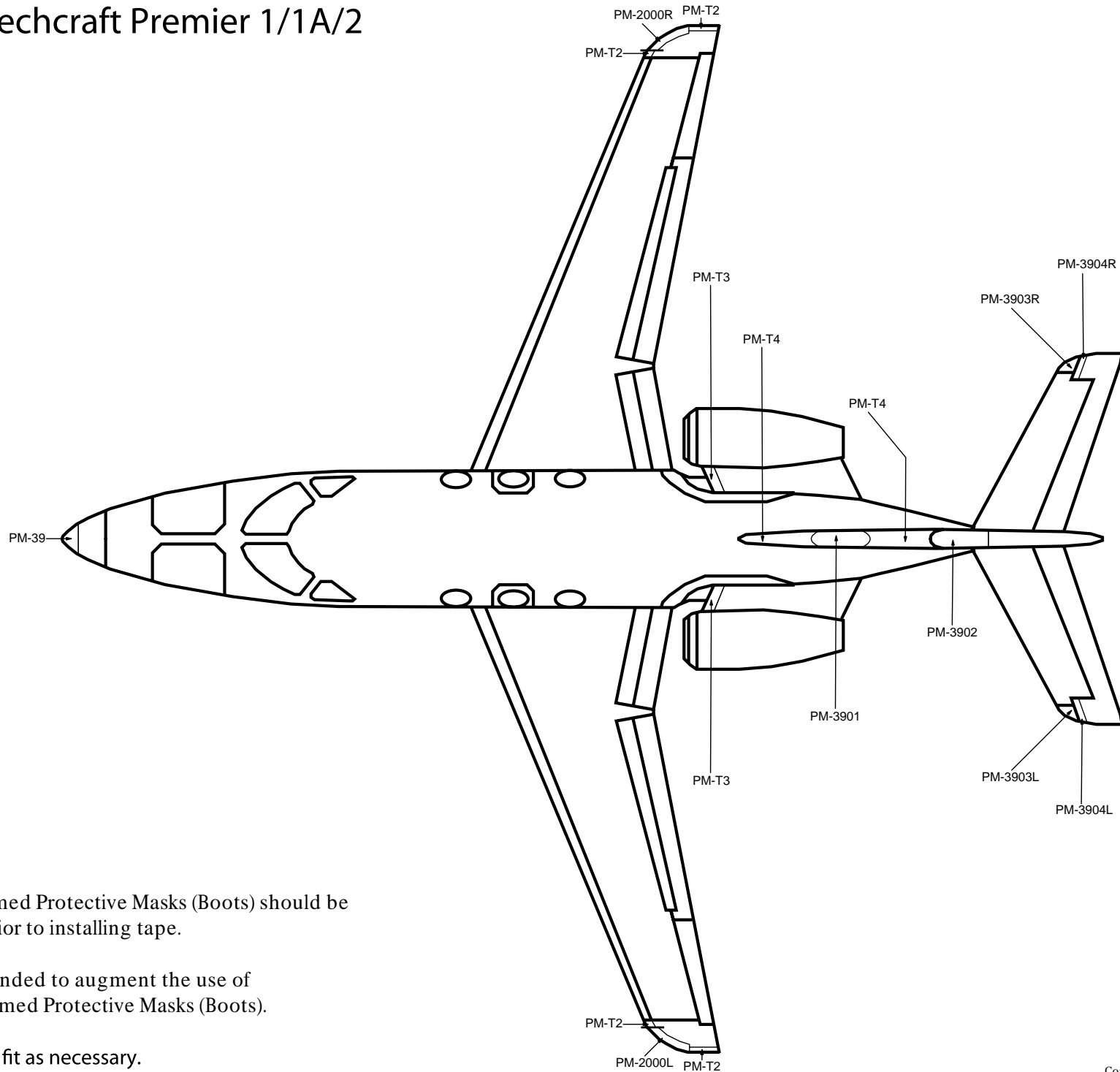
4110 Niles Hill Road  
Wellsville, NY 14895  
Phone (585) 593-3169  
FAX (585) 593-5637  
Web Address: [www.papa-mike.com](http://www.papa-mike.com)  
E-mail: [pmboots@papa-mike.com](mailto:pmboots@papa-mike.com)

## Erosion Protection Kit for the Hawker Beechcraft Premier 1/1A/2

### PM-KP390

PRODUCT	PRODUCT ID
Radome Boot	PM-39
Navigation Light Lens Mask Set L&R	PM-2000
Dorsal Transition Mask	PM-3901
Vertical Transition Bullet Mask	PM-3902
Horizontal Stabilizer Tips Mask Set L&R	PM-3903
Elevator Tips Mask Set L&R	PM-3904
Wing Inspection Light Tape Kit L&R	PM-T3905
Landing Light Lens Tape Kit L&R	PM-T3906
Cut Tape	

# Hawker Beechcraft Premier 1/1A/2

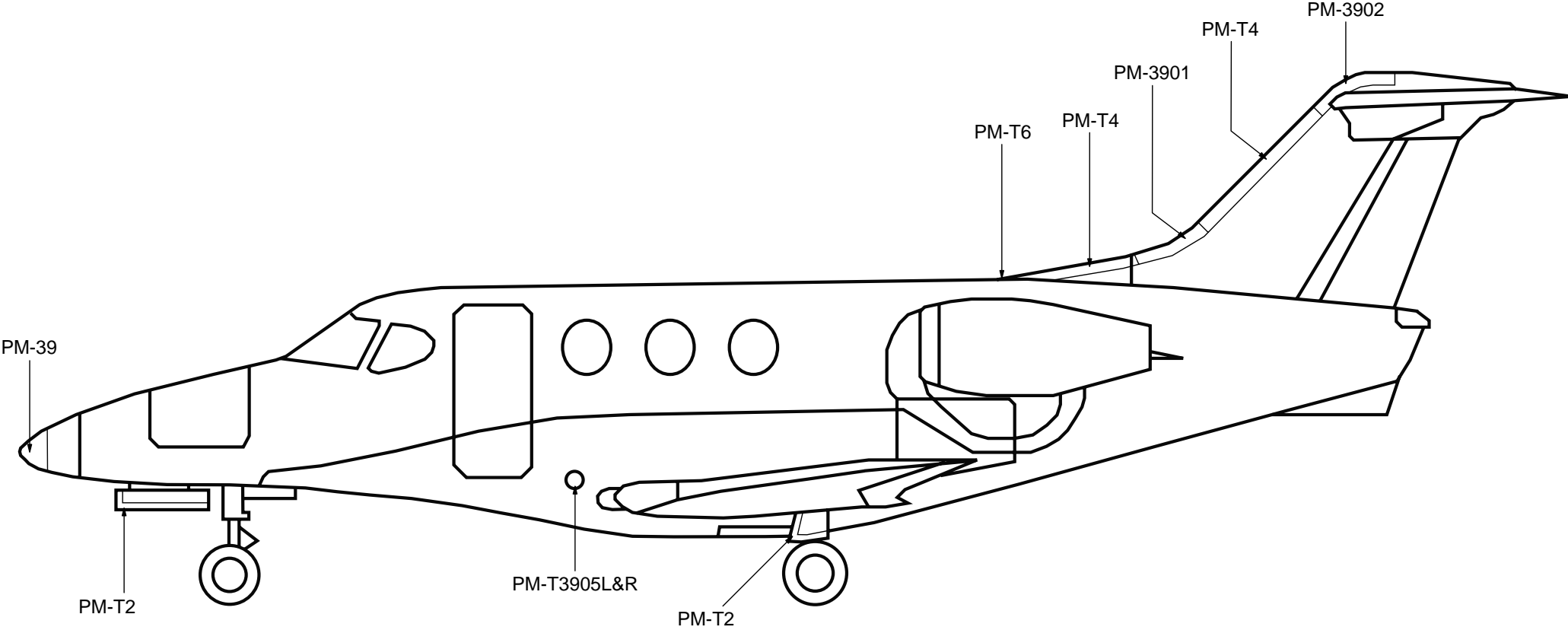


NOTE: All Pre-Formed Protective Masks (Boots) should be installed prior to installing tape.

NOTE: Tape is intended to augment the use of our Pre-Formed Protective Masks (Boots).

Cut tape to fit as necessary.

# Hawker Beechcraft Premier 1/1A/2

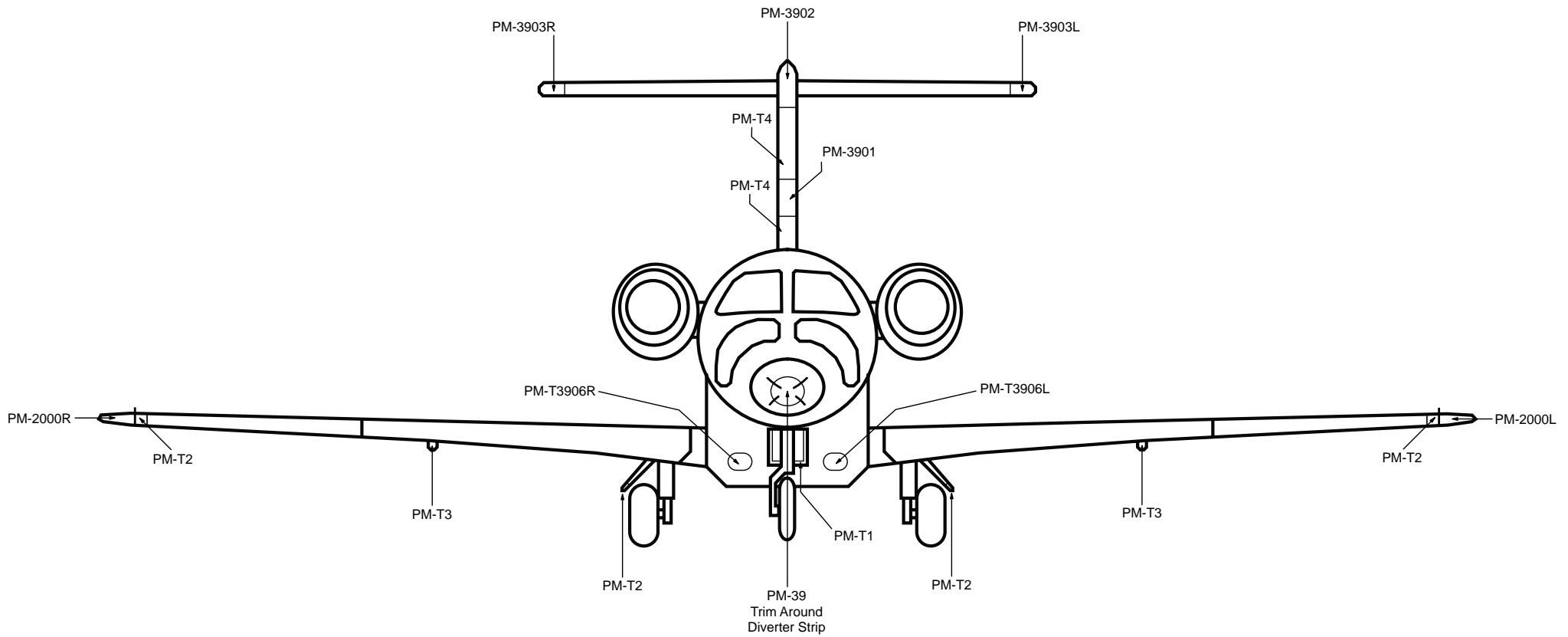


NOTE: All Pre-Formed Protective Masks (Boots) should be installed prior to installing tape.

NOTE: Tape is intended to augment the use of our Pre-Formed Protective Masks (Boots).

Cut tape to fit as necessary.

# Hawker Beechcraft Premier 1/1A/2



NOTE: All Pre-Formed Protective Masks (Boots) should be installed prior to installing tape.

NOTE: Tape is intended to augment the use of our Pre-Formed Protective Masks (Boots).

Cut tape to fit as necessary.



**SIMPLY THE BEST**

4110 Niles Hill Road  
Wellsville, NY 14895  
Phone (585) 593-3169  
FAX (585) 593-5637  
Web Address: [www.papa-mike.com](http://www.papa-mike.com)  
E-mail: [pmboots@papa-mike.com](mailto:pmboots@papa-mike.com)

## Erosion Protection Kit for the Piaggio P180

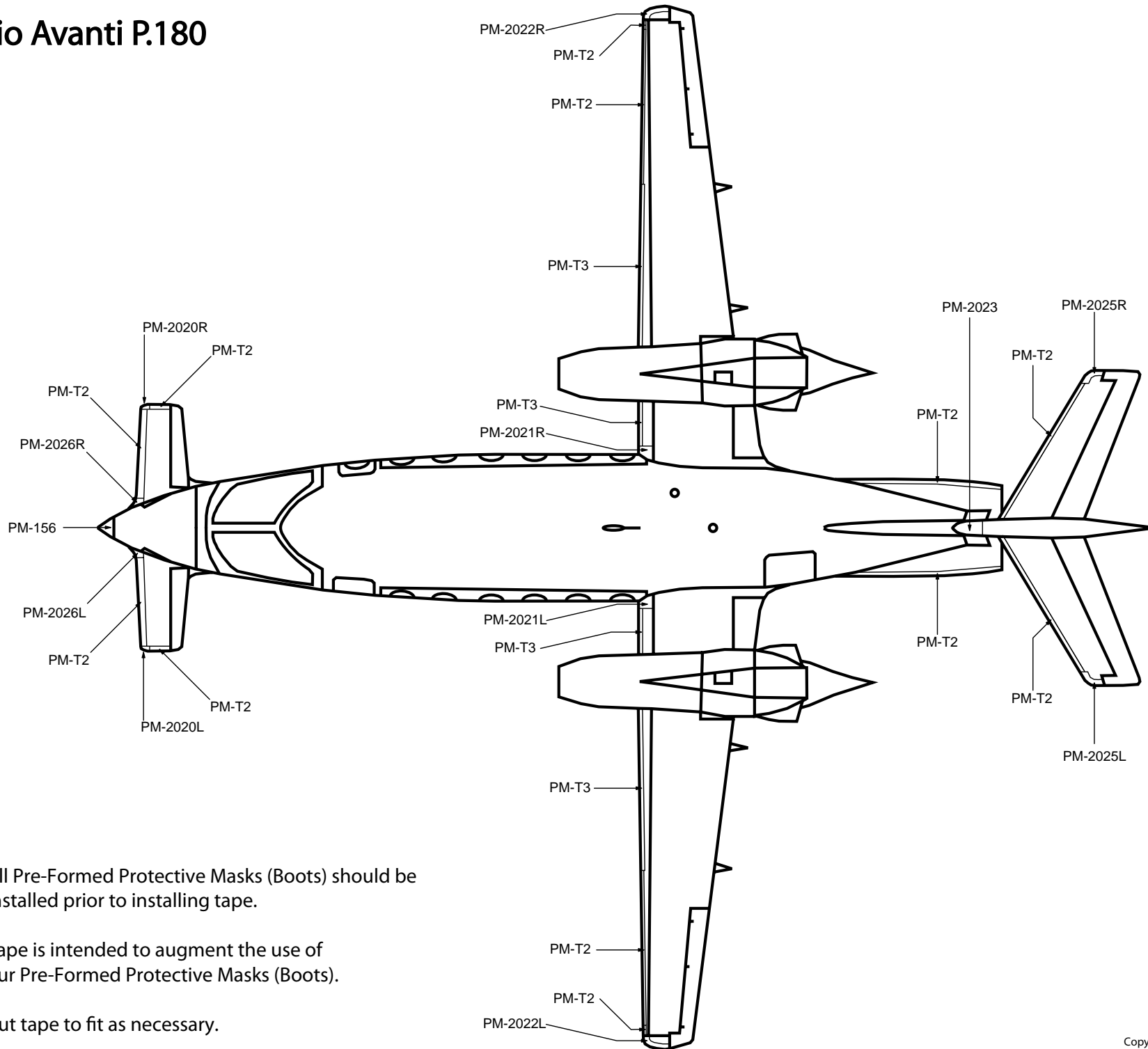
### PM-KP180

PRODUCT	PRODUCT ID
Radome Boot	PM-156
Canard Tip Mask Set L&R	PM-2020
Wing Root Fairing Mask Set L&R	PM-2021
Nav Light Lens Mask Set L&R	PM-2022
Vertical Stabilizer Tip Mask	PM-2023
Horizontal Stab Root Fairing Mask Set L&R	PM-2024
Horizontal Stab Tip Mask Set L&R	PM-2025
Canard Wing Root Fairing Mask Set L&R	PM-2026
Canard Flap Fairing Mask Set (4 pcs)	PM-2027

--	--

--	--

# Piaggio Avanti P.180

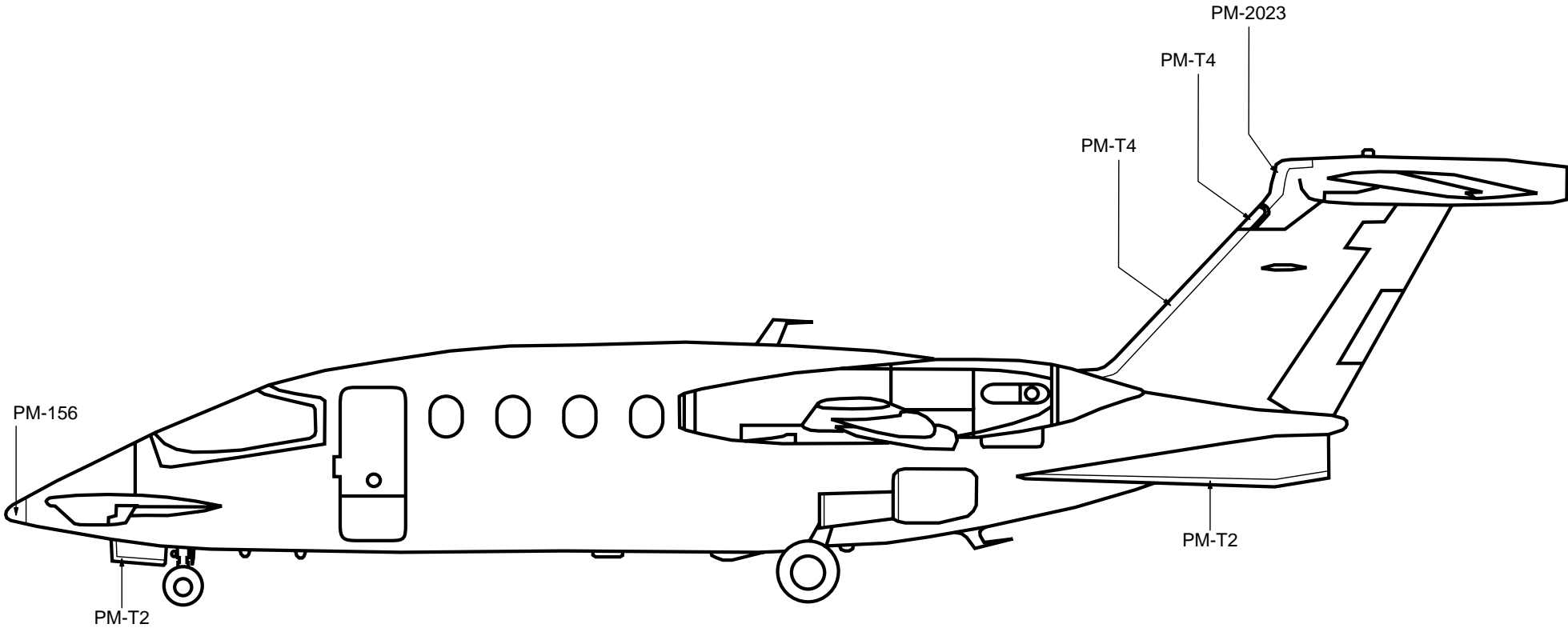


NOTE: All Pre-Formed Protective Masks (Boots) should be installed prior to installing tape.

NOTE: Tape is intended to augment the use of our Pre-Formed Protective Masks (Boots).

Cut tape to fit as necessary.

# Piaggio Avanti P.180

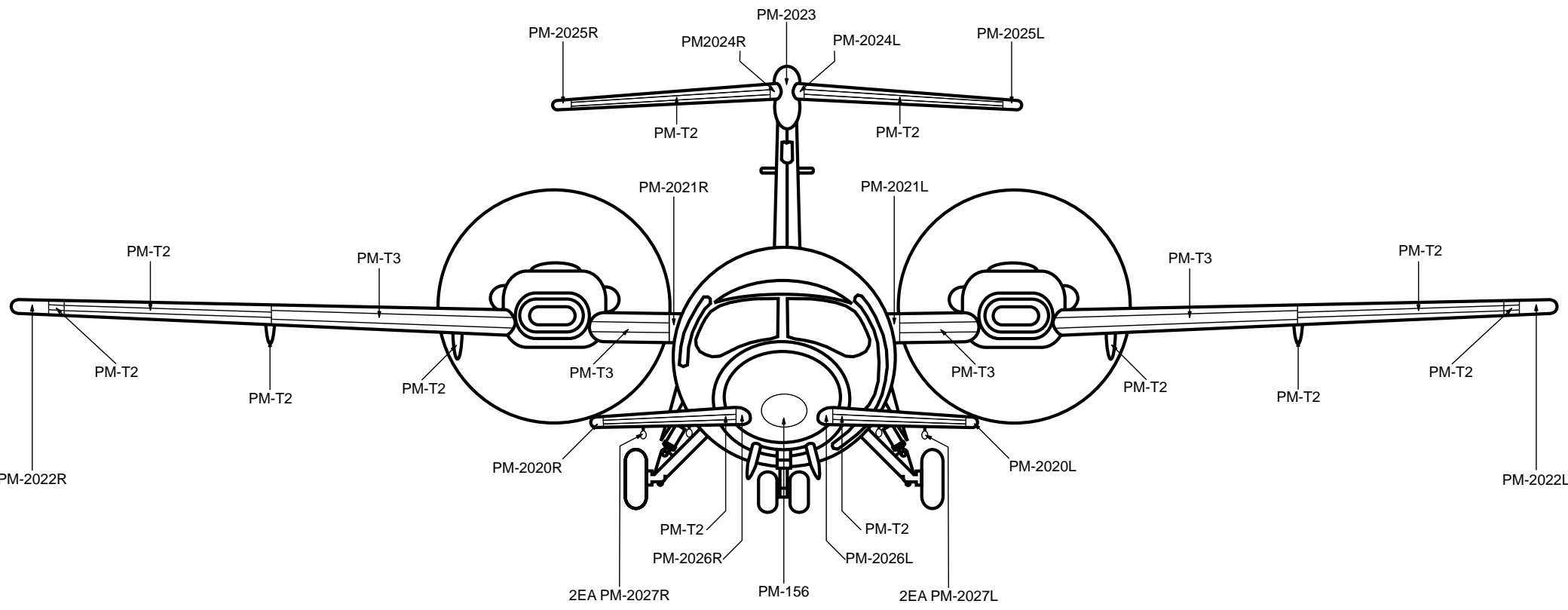


NOTE: All Pre-Formed Protective Masks (Boots) should be installed prior to installing tape.

NOTE: Tape is intended to augment the use of our Pre-Formed Protective Masks (Boots).

Cut tape to fit as necessary.

# Piaggio Avanti P.180



NOTE: All Pre-Formed Protective Masks (Boots) should be installed prior to installing tape.

NOTE: Tape is intended to augment the use of our Pre-Formed Protective Masks (Boots).

Cut tape to fit as necessary.



**SIMPLY THE BEST**

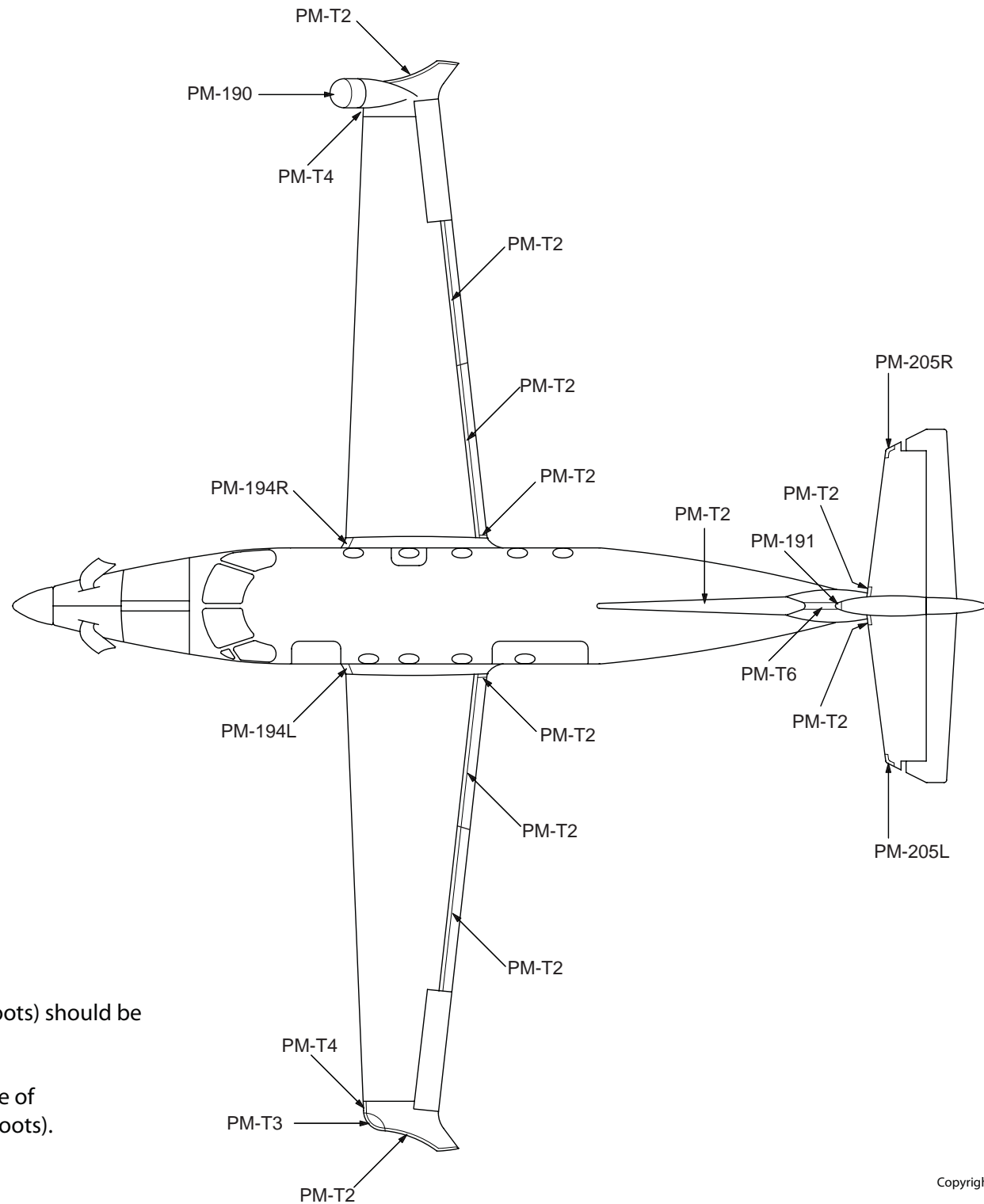
4110 Niles Hill Road  
Wellsville, NY 14895  
Phone (585) 593-3169  
FAX (585) 593-5637  
Web Address: [www.papa-mike.com](http://www.papa-mike.com)  
E-mail: [pmboots@papa-mike.com](mailto:pmboots@papa-mike.com)

## Erosion Protection Kit for the Pilatus PC-12

### PM-KPC12

PRODUCT	PRODUCT ID
Wing Mounted Radome Boot	PM-190
Tail Bullet Mask	PM-191
Wing Root Fairing Left	PM-194 L
Wing Root Fairing Right	PM-194 R
Tail Bullet Chin Fairing Mask	PM-199
Center Flap Track Fairing Mask Set L&R	PM 201
Inboard Flap Track Fairing Mask Set L&R	PM-202
Outboard FlapTrack Fairing Recognition Light Mask Set L&R	PM-204
Horizontal Stabilizer Tip Mask Set L&R	PM-205
Cut Tape	

# Pilatus PC-12

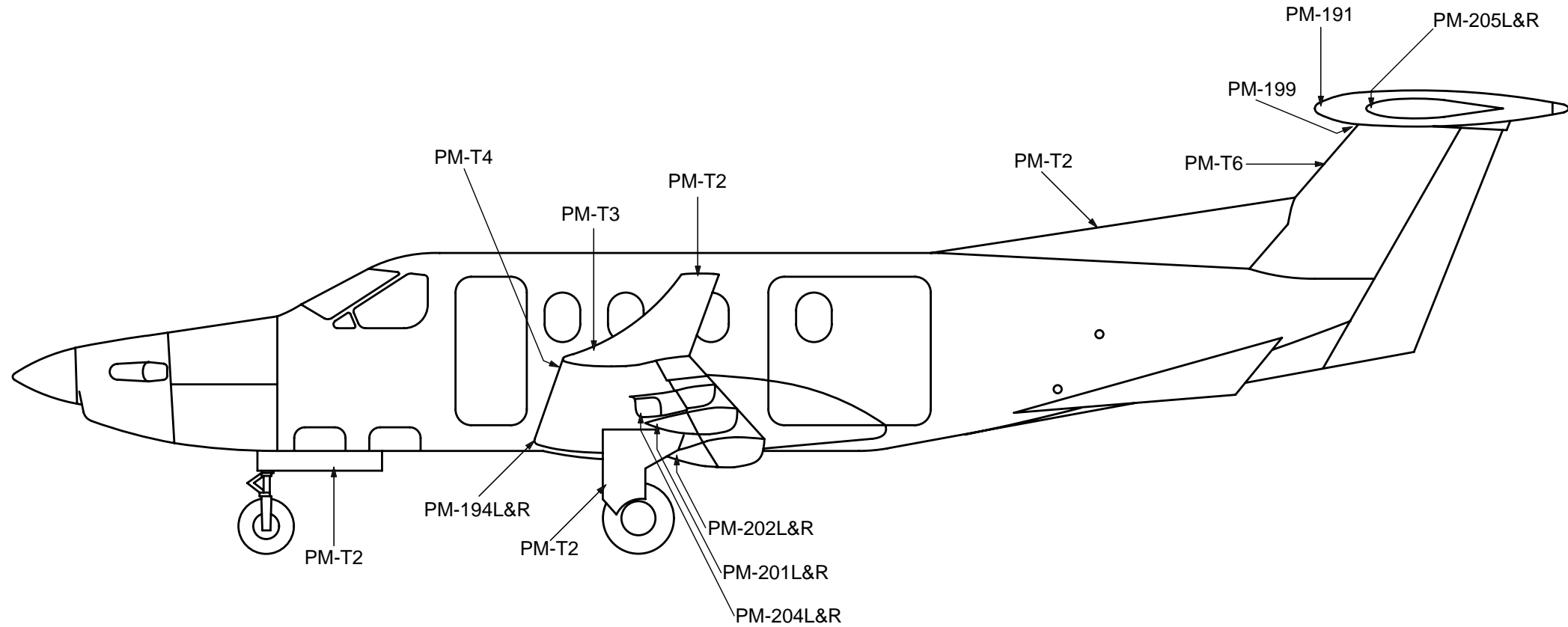


NOTE: All Pre-Formed Protective Masks (Boots) should be installed prior to installing tape.

NOTE: Tape is intended to augment the use of our Pre-Formed Protective Masks (Boots).

Cut tape to fit as necessary.

# Pilatus PC-12

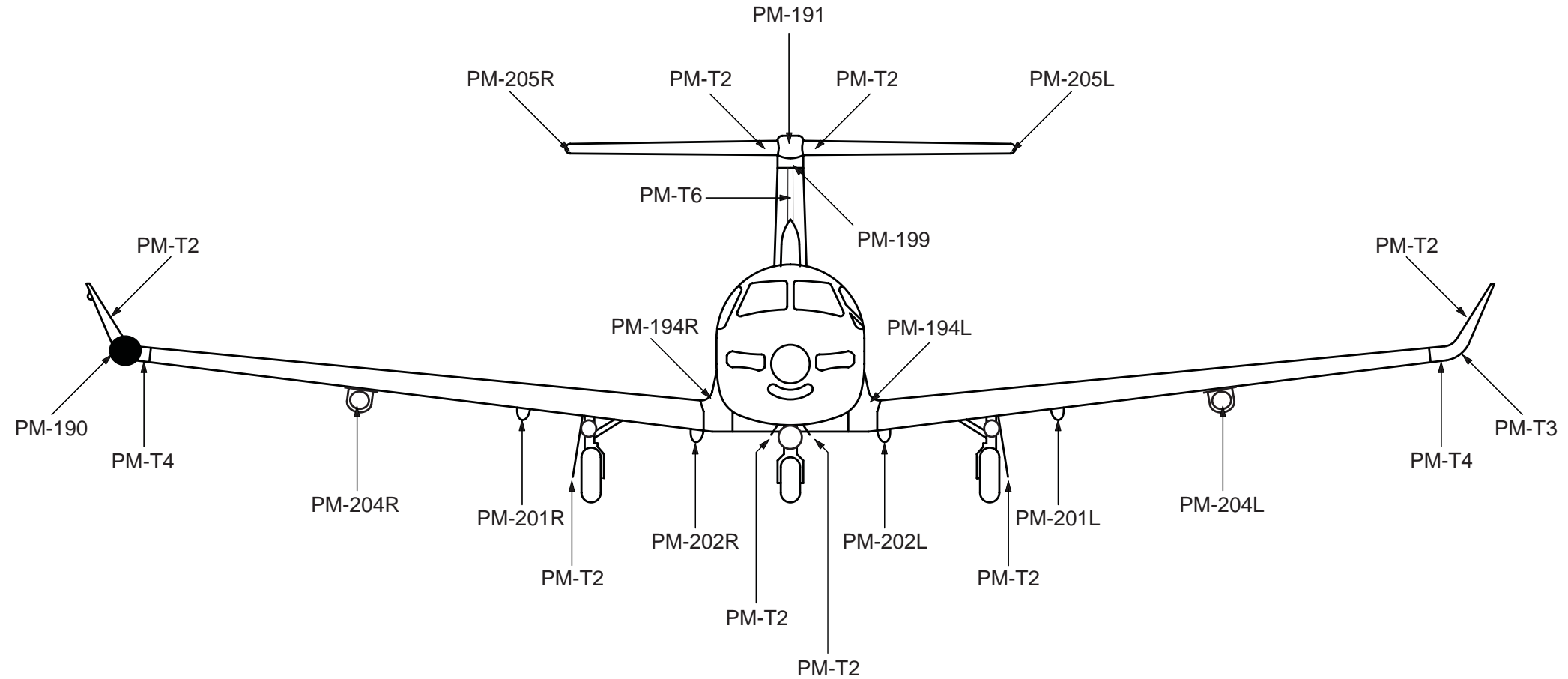


NOTE: All Pre-Formed Protective Masks (Boots) should be installed prior to installing tape.

NOTE: Tape is intended to augment the use of our Pre-Formed Protective Masks (Boots).

Cut tape to fit as necessary.

# Pilatus PC-12



NOTE: All Pre-Formed Protective Masks (Boots) should be installed prior to installing tape.

NOTE: Tape is intended to augment the use of our Pre-Formed Protective Masks (Boots).

Cut tape to fit as necessary.



**SIMPLY THE BEST**

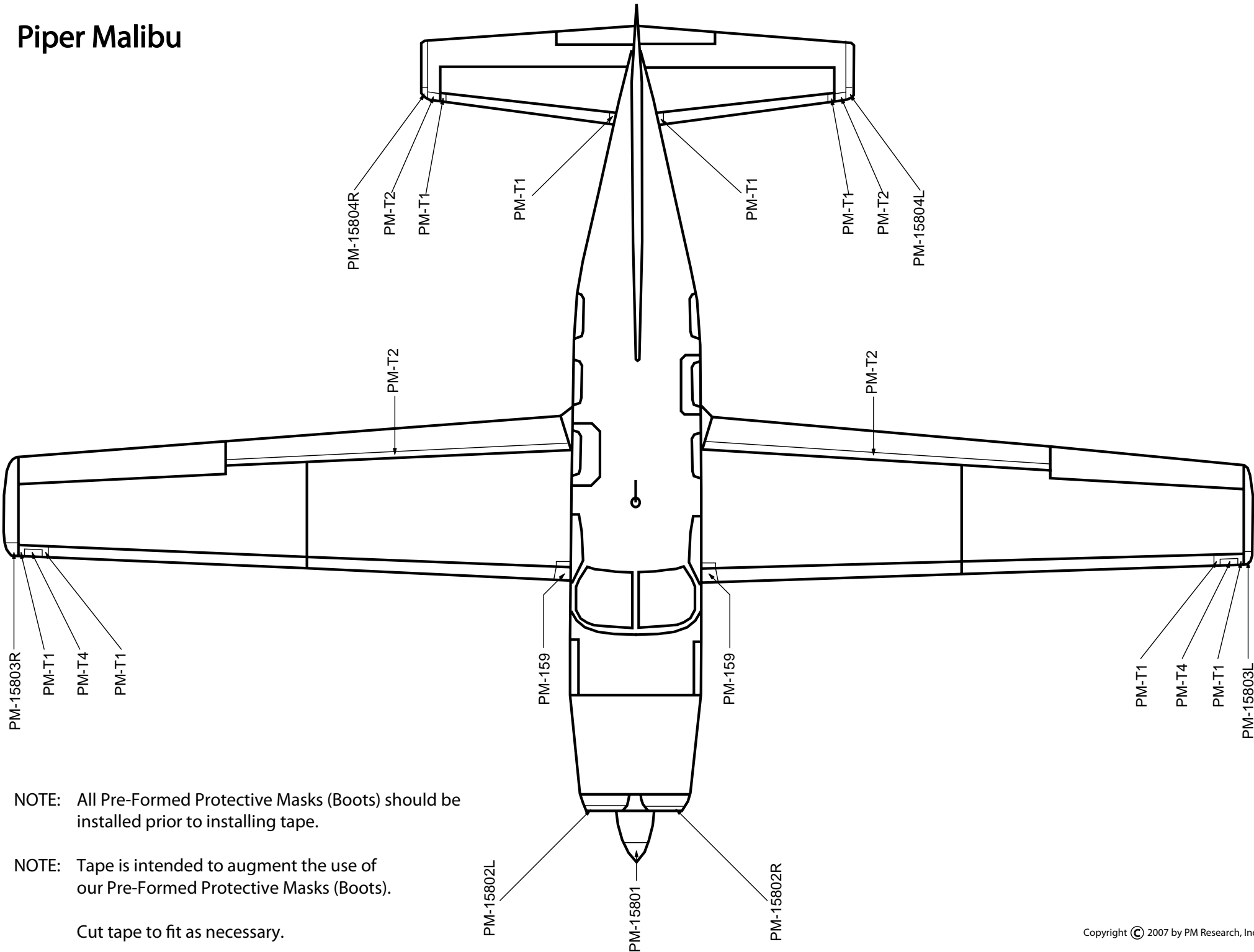
4110 Niles Hill Road  
Wellsville, NY 14895  
Phone (585) 593-3169  
FAX (585) 593-5637  
Web Address: [www.papa-mike.com](http://www.papa-mike.com)  
E-mail: [pmboots@papa-mike.com](mailto:pmboots@papa-mike.com)

# Erosion Protection Kit for the Piper Malibu

## PM-KP46

PRODUCT	PRODUCT ID
Wing Mounted Radome Boot	PM-158
Spinner Mask	PM-15801
Engine Cowling Inlet Mask Left	PM-15802L
Engine Cowling Inlet Mask Right	PM-15802R
Wing Tip Mask Set L&R	PM-15803
Elevator Tip Mask Set L&R	PM-15804
Radar Mount Fairing Mask	PM-15805
Wing Root Fairing Mask Set L&R	PM-159
Cut Tape	

# Piper Malibu

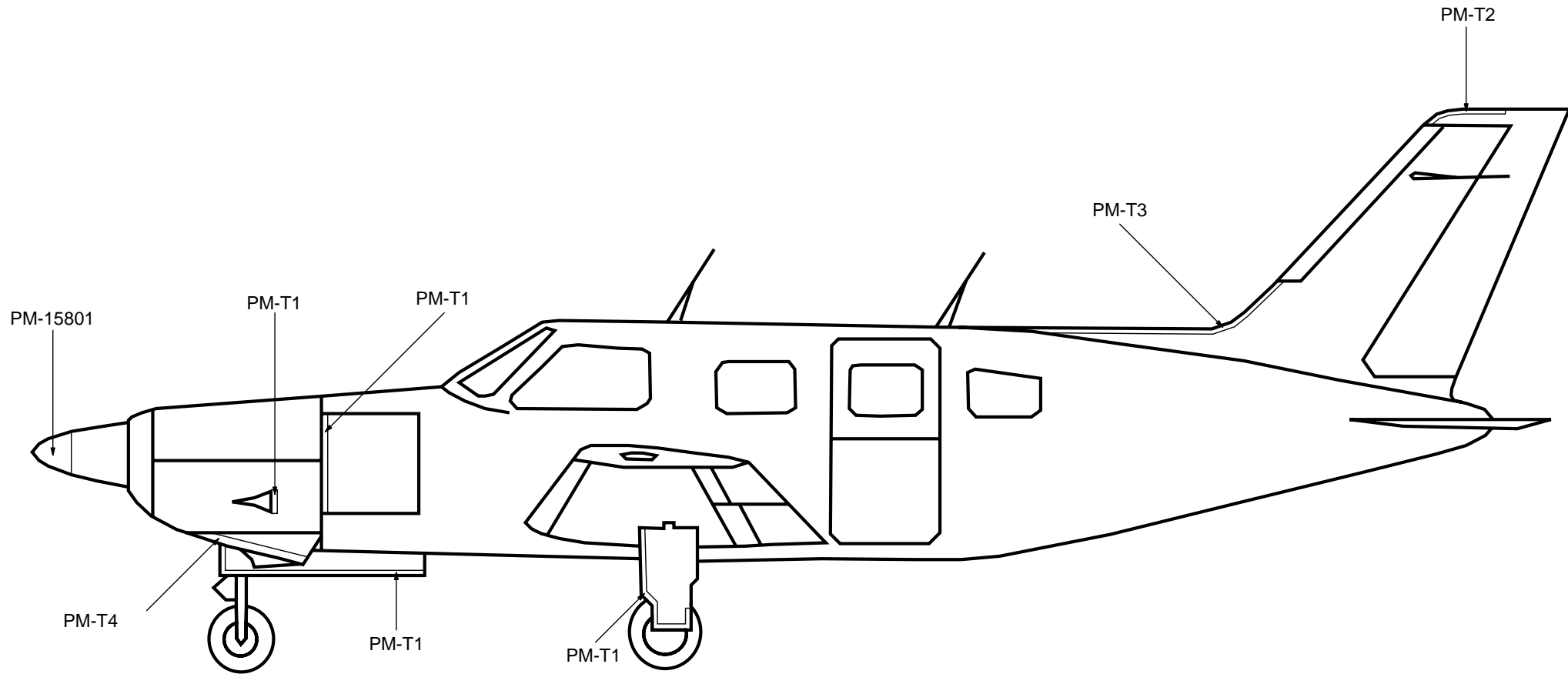


NOTE: All Pre-Formed Protective Masks (Boots) should be installed prior to installing tape.

NOTE: Tape is intended to augment the use of our Pre-Formed Protective Masks (Boots).

Cut tape to fit as necessary.

# Piper Malibu

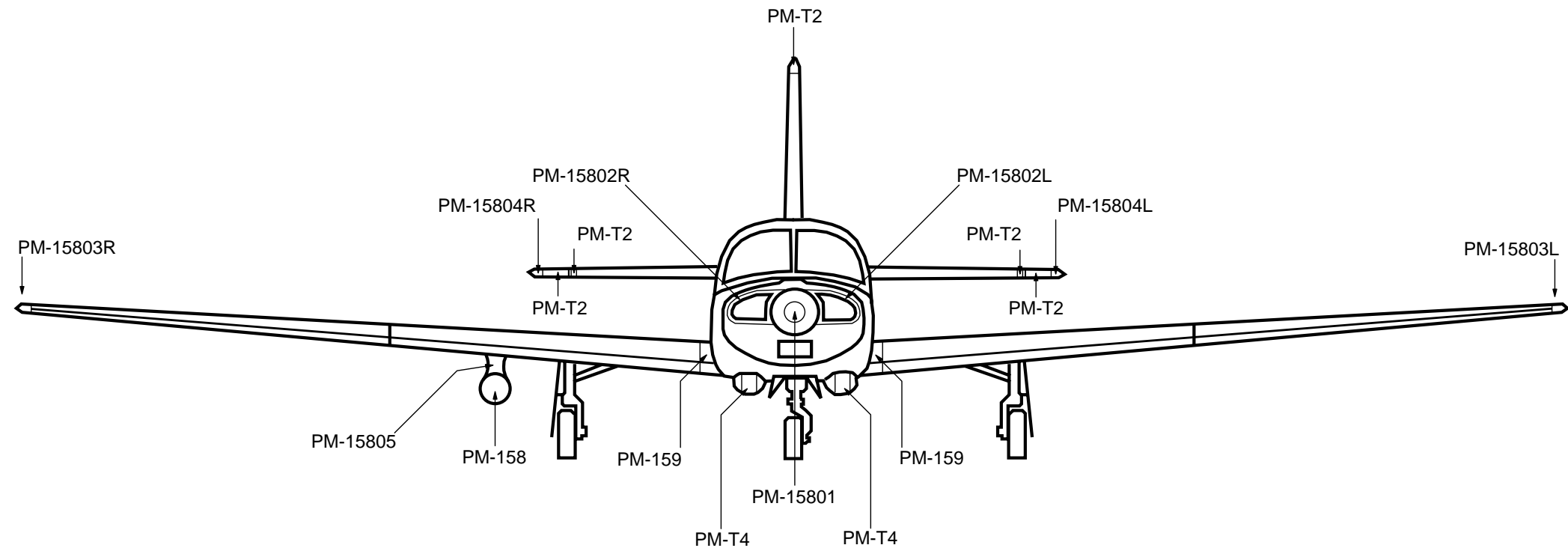


NOTE: All Pre-Formed Protective Masks (Boots) should be installed prior to installing tape.

NOTE: Tape is intended to augment the use of our Pre-Formed Protective Masks (Boots).

Cut tape to fit as necessary.

# Piper Malibu



NOTE: All Pre-Formed Protective Masks (Boots) should be installed prior to installing tape.

NOTE: Tape is intended to augment the use of our Pre-Formed Protective Masks (Boots).

Cut tape to fit as necessary.



**SIMPLY THE BEST**

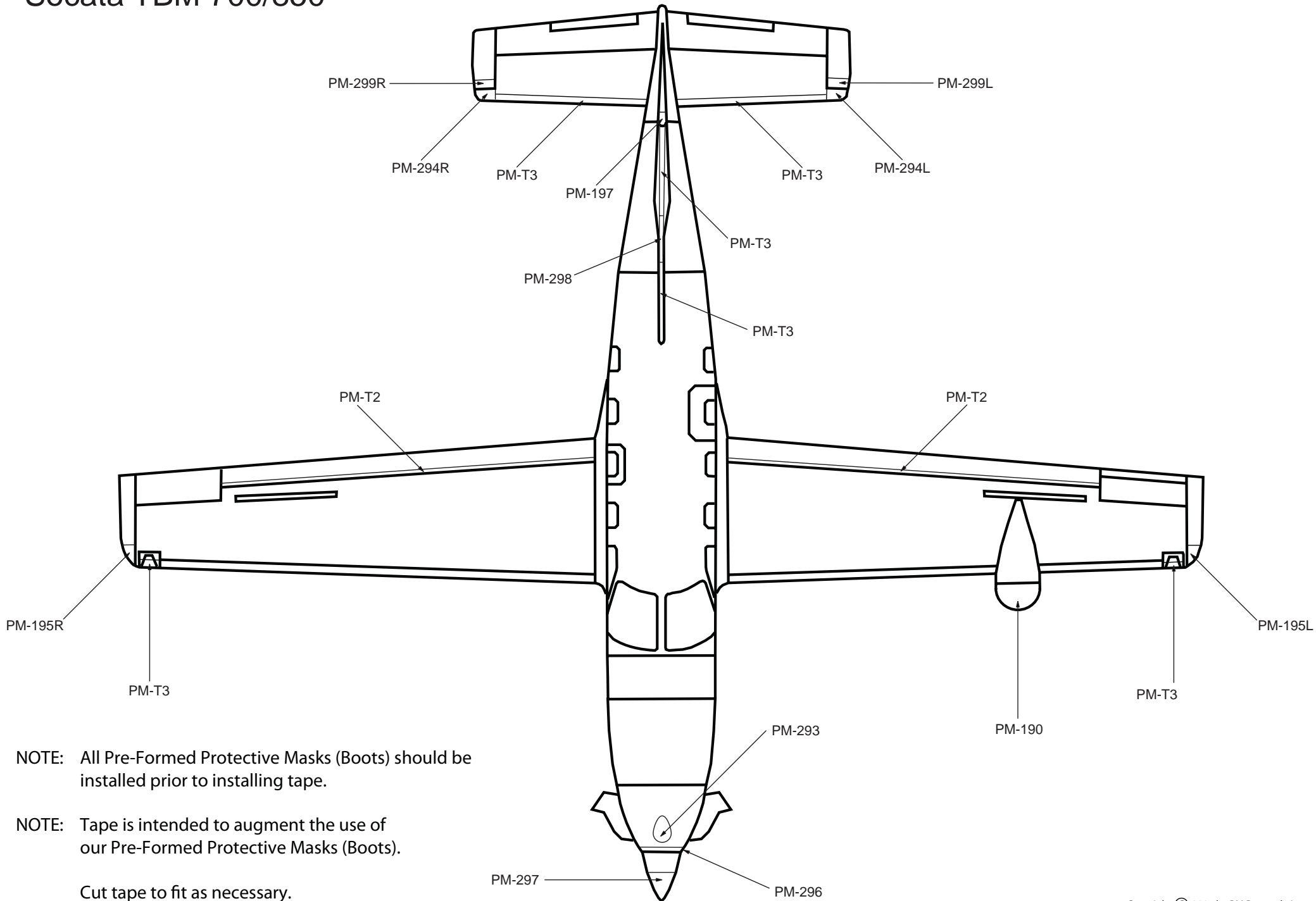
4110 Niles Hill Road  
Wellsville, NY 14895  
Phone (585) 593-3169  
FAX (585) 593-5637  
Web Address: [www.papa-mike.com](http://www.papa-mike.com)  
E-mail: [pmboots@papa-mike.com](mailto:pmboots@papa-mike.com)

## Erosion Protection Kit for the SOCATA TBM 700/850

### PM-KTBM700

PRODUCT	PRODUCT ID
Wing Mounted Radome Boot	PM-190
Wing Tip Mask Set L&R	PM-195
Vertical Stabilizer Tip Mask Set L&R	PM-197
Flaptrack Inboard Mask Set L&R	PM-290
Flaptrack Center Mask Set L&R	PM-291
Flaptrack Outboard Mask Set L&R	PM-292
Upper Cowl Tear Drop Mask	PM-293
Horizontal Stabilizer Mask Set L&R	PM-294
Engine Cowl Lip Mask	PM-296
Spinner Mask	PM-297
Dorsal Transition Mask	PM-298
Elevator Tip Mask Set L&R	PM-299
Rudder Tip Mask	PM-390
Wing Root Fairing Mask Set L&R	PM-391
Cut Tape	

# Socata TBM 700/850

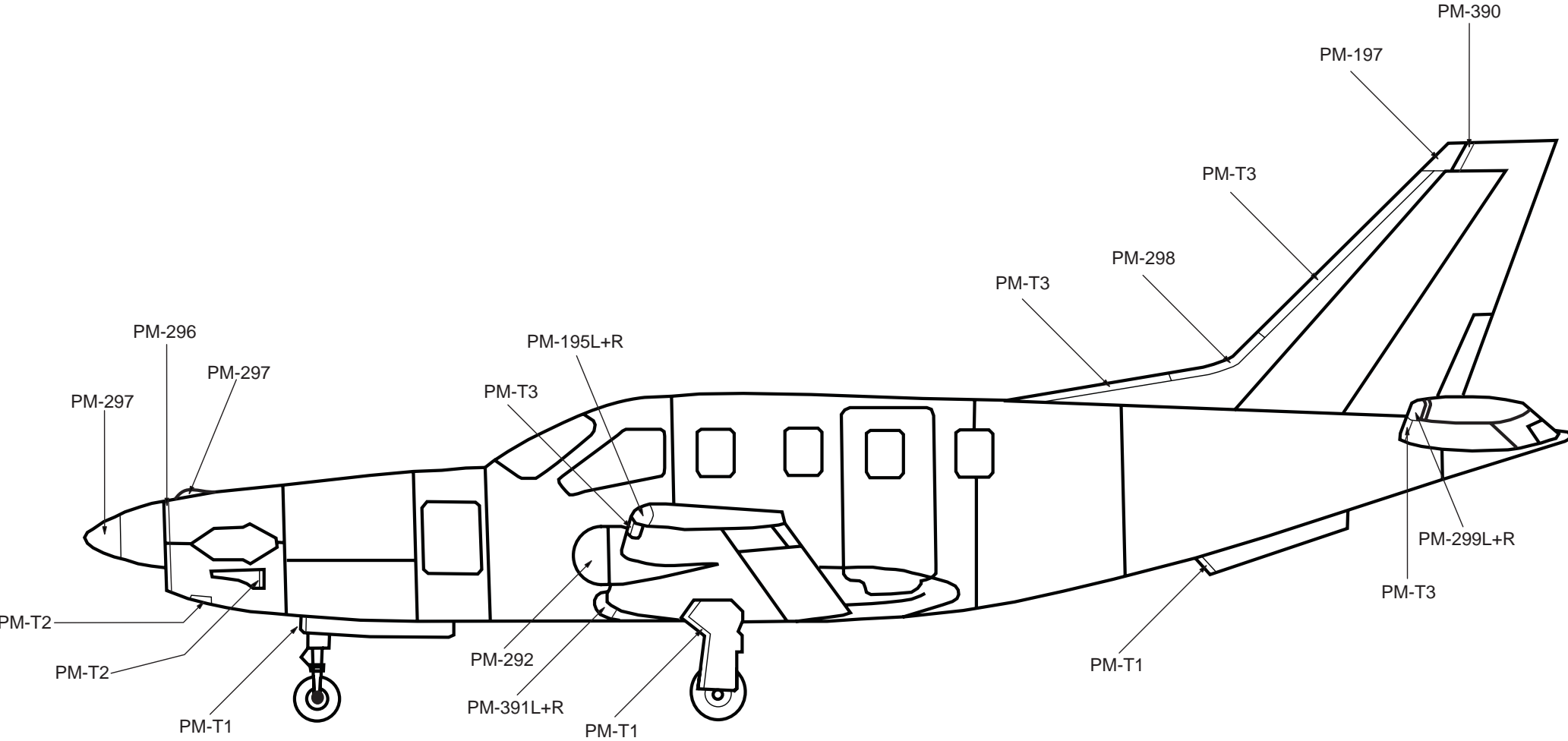


NOTE: All Pre-Formed Protective Masks (Boots) should be installed prior to installing tape.

NOTE: Tape is intended to augment the use of our Pre-Formed Protective Masks (Boots).

Cut tape to fit as necessary.

# Socata TBM 700/850

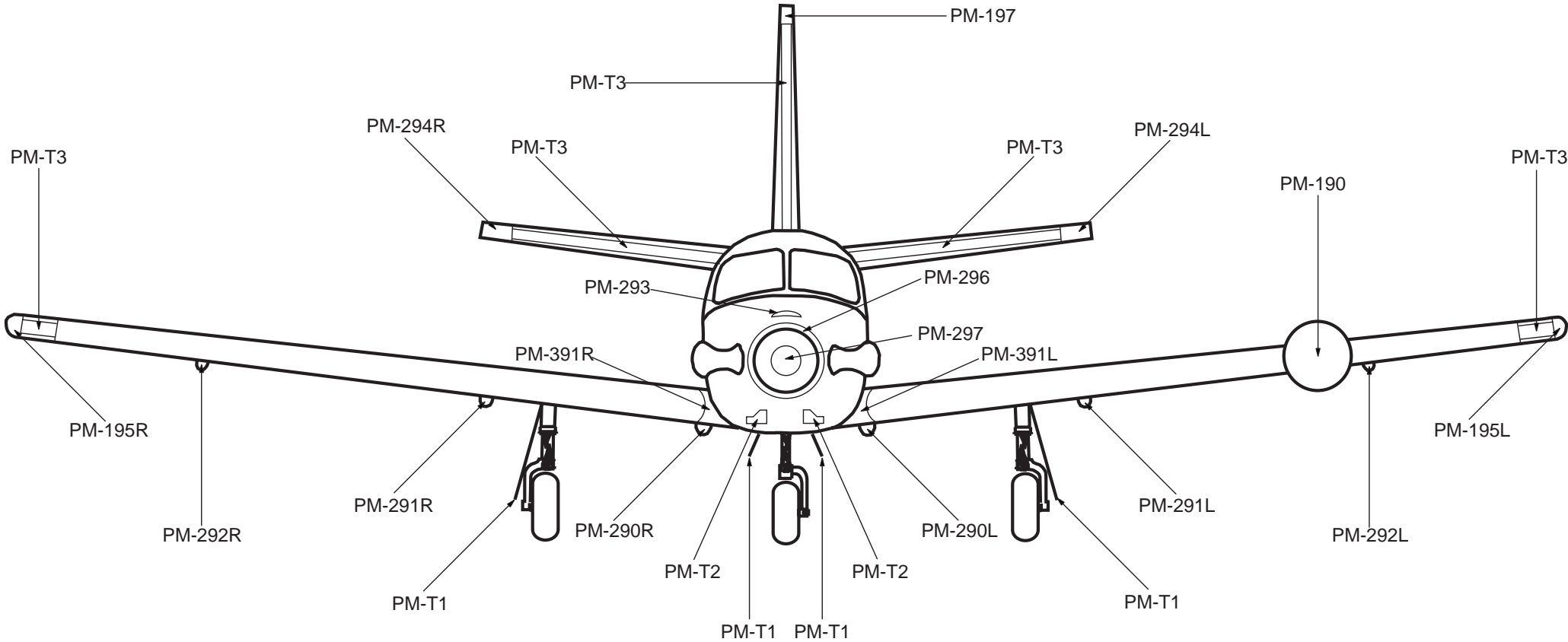


NOTE: All Pre-Formed Protective Masks (Boots) should be installed prior to installing tape.

NOTE: Tape is intended to augment the use of our Pre-Formed Protective Masks (Boots).

Cut tape to fit as necessary.

# Socata TBM 700/850



NOTE: All Pre-Formed Protective Masks (Boots) should be installed prior to installing tape.

NOTE: Tape is intended to augment the use of our Pre-Formed Protective Masks (Boots).

Cut tape to fit as necessary.